



## 2D Bluetooth Scanner for AURES JAZZ

### JAZZ-BT-SCANNER Quickstart Guide



2D Bluetooth Scanner



Charging Dock



BT Dongle



Quickstart Guide

Rel. 1.0 Jul20

## Pairing Scanner Procedures

**Step 1 : Connect the included BT Dongle to the USB port of host computer**

**Step 2 : Activate the scanner**

To configure the scanner, press the Scan button and point the scanner at below code to set the scanner to the Bluetooth-HID (keyboard) mode. The scanner will beep three times quickly and the LED will flash green when read correctly. The scanner mode is now set.



**Step 3 : Language Setting (please hide the unused barcodes before scanning to improve its reading accuracy)**

For French,



For German,



For English,



**Step 4 : Set for automatic Bluetooth reconnection**

Scan all below barcodes from top to bottom.

ZZ



CA99



ZZ

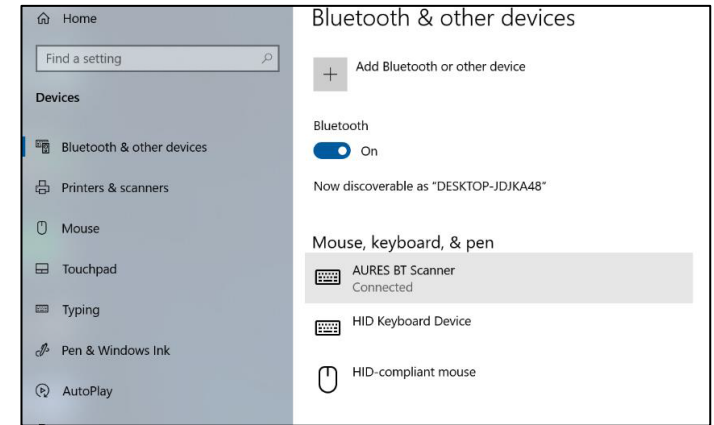


**Step 5 : Select the AURES BT Scanner in Windows**

Press the Clear/Function button for about three seconds until the LED blinks blue. The scanner is now in the Bluetooth pair mode.

To connect the scanner to your computer using Bluetooth, use the following steps:

- (1) Open **Settings**.
- (2) Click on **Devices**.
- (3) Click on **Bluetooth & other devices**.
- (4) Turn on the **Bluetooth** toggle switch.
- (5) Click the **Add Bluetooth or other device** button to connect a new device.
- (6) Select the **Bluetooth** option.
- (7) Select the **AURES BT Scanner**.
- (8) The scanner will beep once when paired successfully. It will then show up on the list of devices in Windows.



To test if the scanner works, open the Windows Notepad and scan below UPC code for verification.



**WEEE Notice**



The WEEE mark applies only to countries within the European Union (EU) and Norway.

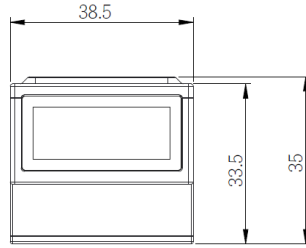
This appliance is labeled in accordance with European Directive 2002/96/EC concerning waste electrical and electronic equipment (WEEE). The Directive determines the framework for the return and recycling of used appliances as applicable throughout the European Union. This label is applied to various products to indicate that the product is not to be thrown away, but rather reclaimed upon end of life per this Directive.



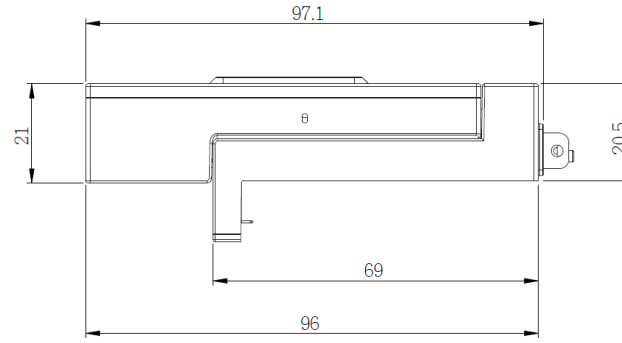
Scan button

Clear/Function button

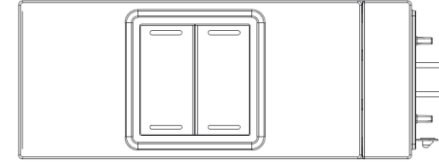
**Front View**



**Side View**



**Top View**



**Basic installation procedures**

**Installation :**

**Technical Support**

The AURES Group thanks you for your loyalty.

To download our most recent drivers and utilities and obtain advice regarding the installation of your equipment, please visit the AURES Technical Support Website:

[www.ares-support.com/en](http://www.ares-support.com/en)

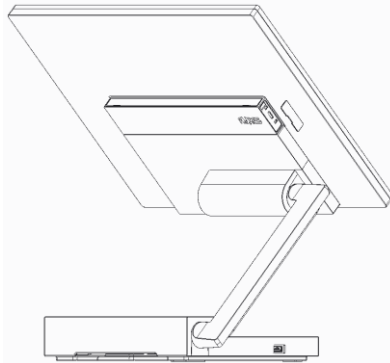
**FCC Compliance Statement (United States)**

This device complies with part 15 of the FCC Rules. Operation is subject to the following two conditions: (1) This device may not cause harmful interference, and (2) this device must accept any interference received, including interference that may cause undesired operation.

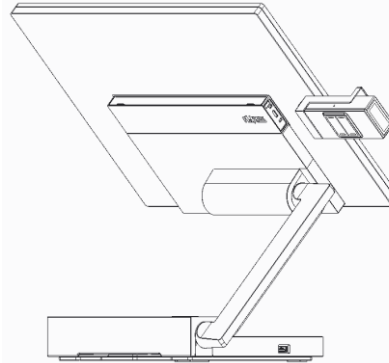
FCC ID: 2AUQFXXXXXX



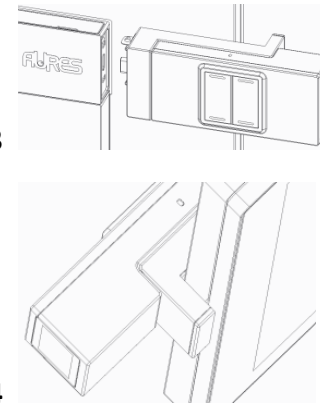
**#1**



**#2**

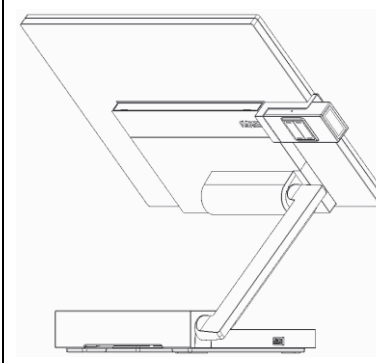


**#3**



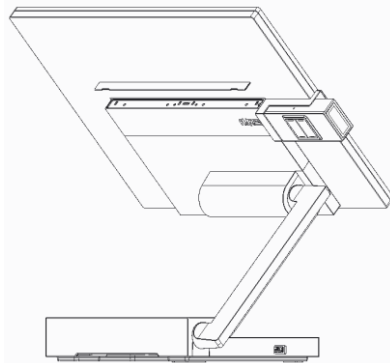
**#4**

**#5**

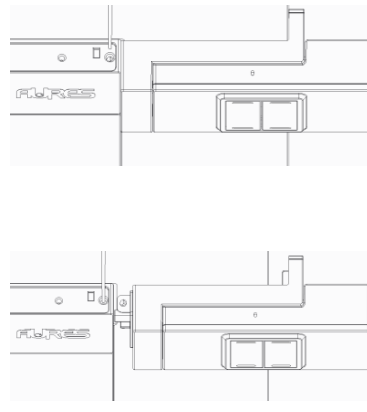


**Un-installation :**

**#1**

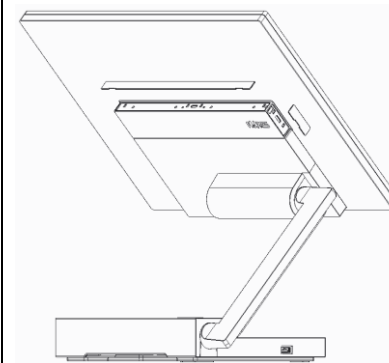


**#2**



**#3**

**#4**



**#5**

