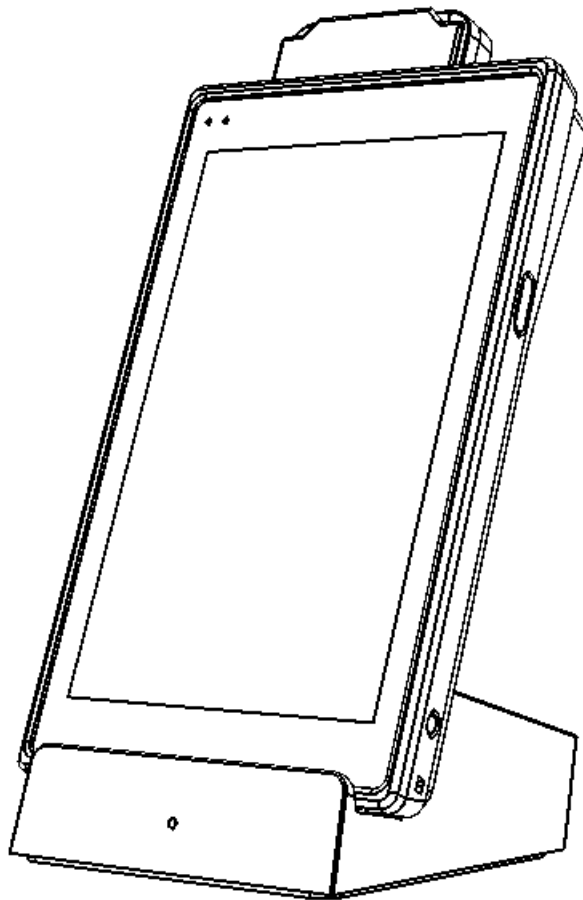


# Quick Startup Guide (English)



**TMC 7000**  
**7" integrated mobile POS**

## COPYRIGHT NOTICE & TRADEMARK

All trademarks and registered trademarks mentioned herein are the property of their respective owners. This manual is copyrighted in Mar 2019. You may not reproduce or transmit in any form or by any means, electronic, or mechanical, including photocopying and recording.

## DISCLAIMER

This user's manual is meant to assist users in installing and setting up the system. The information contained in this document is subject to change without any notice.

## CE NOTICE

This is a class A product. In a domestic environment this product may cause radio interference in which case the user may be required to take adequate measures.

## FCC NOTICE

This device complies with part 15 of the FCC Rules. Operation is subject to the following two conditions : (1) This device may not cause harmful interference, and (2) this device must accept any interference received, including interference that may cause undesired operation.

You are cautioned that any change or modifications to the equipment not expressly approve by the party responsible for compliance could void your authority to operate such equipment.

## Precautions for use

- We recommend to turn off the tablet from time to time to optimize its performance.
- Please do not use your tablet in extreme conditions (temperature and/or environmental).
- Handle your tablet carefully and keep it in a clean place, away from moisture and dust.
- Do not drop, throw or twist the tablet.
- Do not attempt to open, disassemble or repair the tablet.
- Please do not use the tablet if the screen is damaged or cracked to avoid injury.
- Do not use the tablet near a source of flammable gas or liquid.



**CAUTION** : This device contains a non-removable battery. Do not attempt to replace it.  
Danger of explosion may occur when the battery is incorrectly replaced and may void the warranty. We recommend to contact your qualified technician if you meet any issues. Please recycle your device and battery in accordance with local regulation.

## Items List

### Tablet

Item	Q'ty
TMC7000	1
Quick Reference Guide	1
Hand Strap	1
Wrist Strap	1
Card reader (Option)	1
2D Scanner (Option)	1
Retractable leash (Option)	1

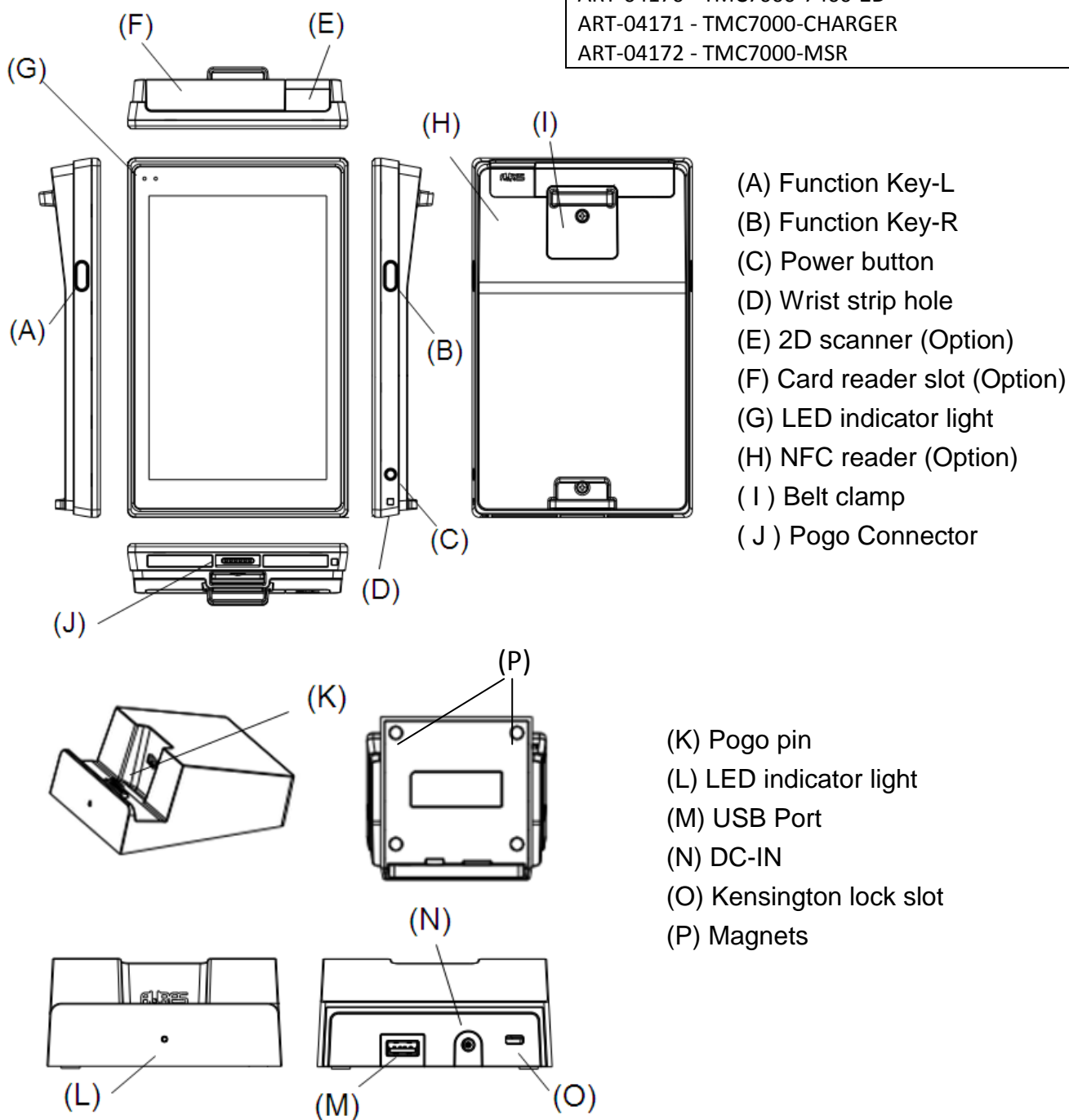
### Charging Dock

Item	Q'ty
TMC7000-CHARGER	1
Quick Reference Guide	1
AC Power Adapter	1
International Plug	1
Metal Plate	1

### Models

ART-04167 - TMC7000-3700  
 ART-04168 - TMC7000-7400  
 ART-04169 - TMC7000-3700-2D  
 ART-04170 - TMC7000-7400-2D  
 ART-04171 - TMC7000-CHARGER  
 ART-04172 - TMC7000-MSR

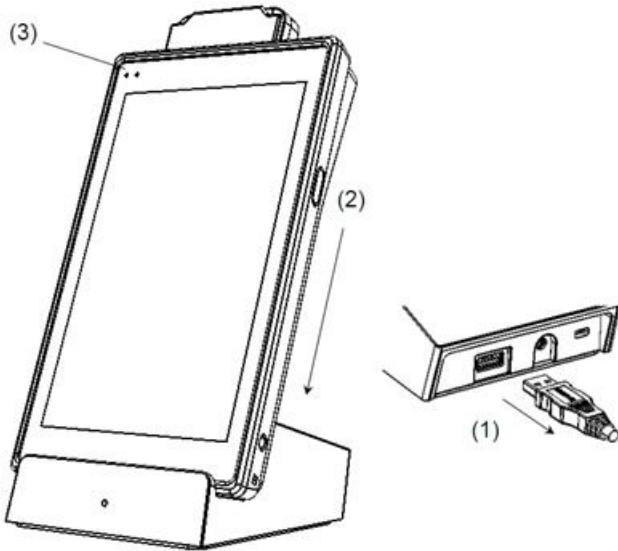
## Description



## Starting

1. For your first use, please charge the TMC7000 tablet in its charging dock for at least one hour.
2. Press the Power Button to turn on the tablet.
3. Press and hold the Power Button to display the “Shut Down/Restart/Airplane Mode” menu.
4. Press 10 seconds the Power Button to force the restart.
5. You can use the Power Button to switch on or switch off the screen.
6. If Wake-On-Touch function is enabled, press twice the screen to switch it on.

## Charging with the TMC7000-CHARGER



- (1) It's recommended to remove all the external devices such as mouse and USB devices connected through the USB port at the back of the TMC7000-CHARGER before charging.
- (2) Place the tablet in its charging cradle.
- (3) Make sure the tablet is charging (Please see below Chart for LED indication )

## LED indicator light

	Tablet	Charging cradle
Power On	Constant GREEN	Constant RED
Charging	Blanking GREEN	-
Fully charged	Constant GREEN (The LED is off if the tablet is not turned on)	-
Error	Constant RED	-
Temperature too high when charging	Constant YELLOW	-
Low Battery	Blanking YELLOW	-

## Charging dock

The dock has magnets that allow to fix the base on a metal support (ex.: Cashdrawer)  
A metal plate is delivered to use its magnets.

## Connecting USB devices

You can connect peripheral devices, such as a USB keyboard and mouse, as well as other devices using the USB port on the back of the TMC7000-CHARGER.

We recommend to use an USB hub if you need to plug multiple devices at the same time.

## Using the LCD Display

The TMC7000 is equipped with touch screen technology. Simply tap the screen you're

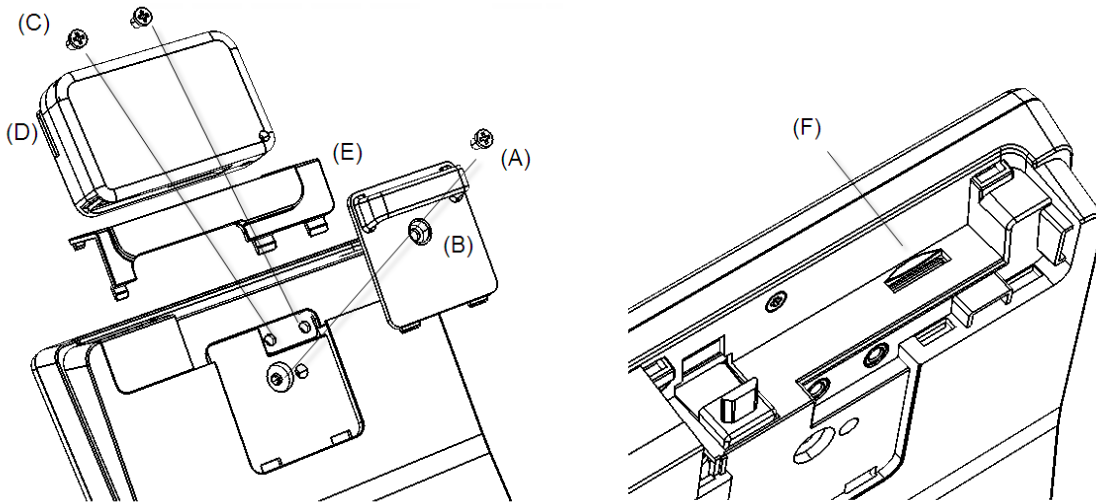
your finger to select icons and run applications. The firmware simulates the use of a mouse:

- Left click: tap the screen once.
- Right click: tap and hold the screen.
- A double click: tap the screen twice quickly.

### Maintaining the LCD Display

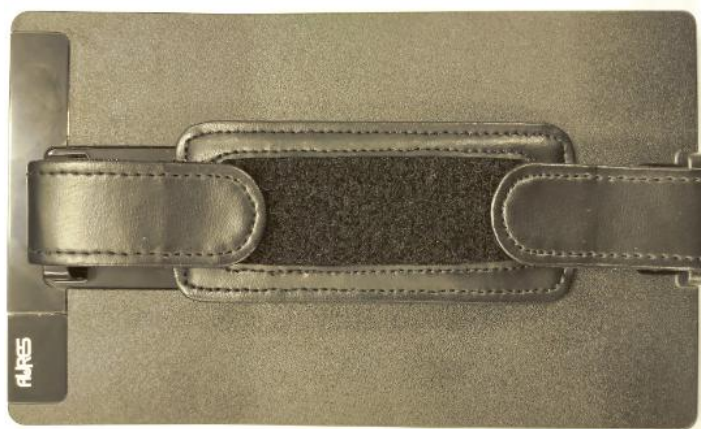
1. Do not scratch the surface of the screen with any hard objects.
2. Do not place anything on the screen.
3. Clean the LCD display only with a soft and dry fabrics.

### SD card installation



1. Unscrew (A) and remove the belt clamp (B)
2. Unscrew (C) x 2 and remove the MSR (D) if installed and the cover (E)
3. Insert or replace the SD card at the push-and-pull connector port (F)

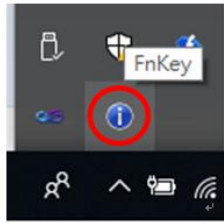
### Handstrap installation



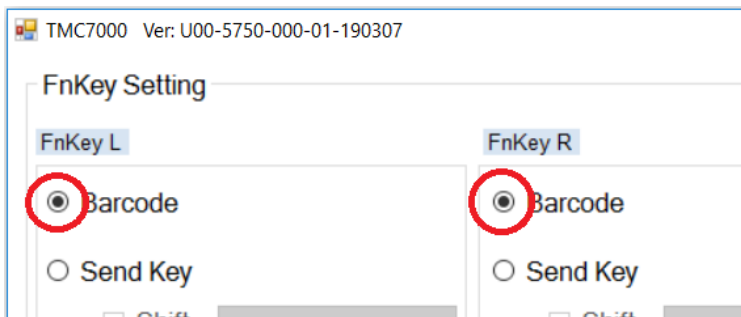
## Setting up the Function Key Button and Wake-on-Touch

The function key buttons are located on the right and left side of the TMC7000.

An utility is provided to program these key. See below description.

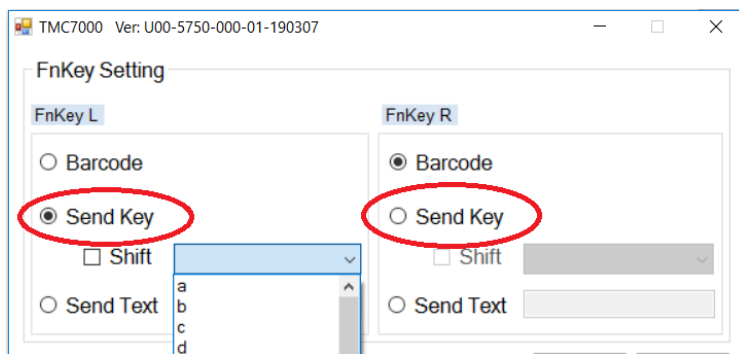


Click the Fnkey icon on the lower right corner of the menubar to set the function key.



Barcode scan:

Select the radiobox (as shown in picture) to enable the barcode scan function.



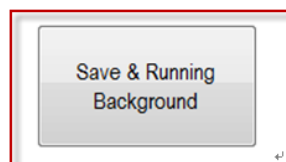
Keycode emulation:

Select the radiobox (as shown in picture ) or the “Text” radio box, then type in the character to be sent.



Wake-on-Touch:

you can wake up the tablet which is in sleep mode, tap the screen twice to wake up the phone. See below for enabling and disabling the function.



Click “Save & Running Background” button to take effect.

## Specifications

### ● TMC7000-3700 / TMC7000-7400

CPU	Intel Atom Z3735F Quad Core CPU (Built in CPU)	
Display	7" IPS LCD/ resolution 800 x 1280 / Anti-Fingerprint P-CAP touch	
O.S. Support	Windows 10 IoT Enterprise LTSC 2016 OS (32 bits)	
Memory	DDR3L 2GB on board	
Storage	eMMC 32GB on board	
Power requirement by Pogo Pin	12V 2A	
Vibrator	Yes	
Light sensor	Yes	
G-sensor	Support auto-screen rotation	
WiFi + Bluetooth	802.11 b/g/n, Bluetooth 4.0	
2D Barcode scanner	Optional	
NFC (NXP NPC300)	Optional	
MSR/Smart card Reader	ISO 7816 & certification EMV 1 & 2 (Optional)	
Battery (non replaceable)	3700mAH (1S1P)	7400mAH (1S2P)
Operating time (JEITA)	4.5 hrs	8 hrs
Battery Charging time	3 Hours	5 Hours
Net weight	414 g	470 g
Dimensions	118 x 192 x 26 mm (W x H x D)	
Drop test	120 cm on concrete	
Certifications	FCC / CE / RCM	

### ● TMC7000-Charger

Kensington lock	One slot
Power supply adaptor	Input : 100-240V ~50/60Hz ; output 12V/2A
Net Weight	362 g (Cradle : 262g ; Metal plate : 100g)
Dimensions	108mm x 56mm x 100mm

### ● Environnement

Operating Temperature	0 ~ 35 °C
Storage Temperature	-20° ~ 60°C
Humidity	In operating temperature : 10 ~ 90% In storage temperature : 10 ~ 95%

#### Technical support

The AURES Group thank you for your loyalty.

To download our most recent drivers and utilities and obtain advice regarding the installation of your equipment, please visit the AURES Technical Support Website:

[www.aures-support.fr/EN](http://www.aures-support.fr/EN)