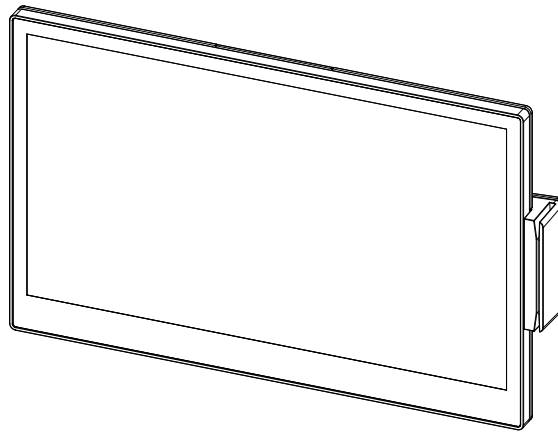


USER MANUAL

VERSION 1.0 February 2024

K730N Panel Hardware System



The information contained in this document is subject to change without notice. We make no warranty of any kind with regard to this material, including, but not limited to, the implied warranties of merchantability and fitness for a particular purpose. We shall not be liable for errors contained herein or for incidental or consequential damages in connection with the furnishing, performance, or use of this material. This document contains proprietary information that is protected by copyright. All rights are reserved. No part of this document may be photocopied, reproduced or translated to another language without the prior written consent of the manufacturer.

TRADEMARK

Intel®, Pentium® and MMX are registered trademarks of Intel® Corporation. Microsoft® and Windows® are registered trademarks of Microsoft Corporation. Other trademarks mentioned herein are the property of their respective owners.

Safety

IMPORTANT SAFETY INSTRUCTIONS

1. To disconnect the machine from the electrical power supply, turn off the power switch and remove the power cord plug from the wall socket. The wall socket must be easily accessible and in close proximity to the machine.
2. Read these instructions carefully. Save these instructions for future reference.
3. Follow all warnings and instructions marked on the product.
4. Do not use this product near water.
5. Do not place this product on an unstable cart, stand, or table. The product may fall, causing serious damage to the product.
6. Slots and openings in the cabinet and the back or bottom are provided for ventilation to ensure reliable operation of the product and to protect it from overheating. These openings must not be blocked or covered. The openings should never be blocked by placing the product on a bed, sofa, rug, or other similar surface. This product should never be placed near or over a radiator or heat register or in a built-in installation unless proper ventilation is provided.
7. This product should be operated from the type of power indicated on the marking label. If you are not sure of the type of power available, consult your dealer or local power company.
8. Do not allow anything to rest on the power cord. Do not locate this product where persons will walk on the cord.
9. Never push objects of any kind into this product through cabinet slots as they may touch dangerous voltage points or short out parts that could result in a fire or electric shock. Never spill liquid of any kind on the product.
10. To avoid the risk of electric shock, this equipment must only be connected to a supply mains with protective earth.
11. No modification of this equipment is allowed.
12. Power supply is specified as part of medical equipment.

13. The medical PC can be cleaned in accordance with normal clinical cleaning practices, including wiping with water or medical grade wipes, provided no substance containing acids or cleaning alkali liquids is used.
14. Medical grade wipes must not contain more than 80% alcohol content measured against the total content of the wipe.
15. Operator shall not contact patient simultaneously when in use with the medical computer.

Sécurité

INSTRUCTIONS IMPORTANTES RELATIVES À LA SECURITE

1. Pour débrancher la machine de l'alimentation électrique, éteignez l'interrupteur d'alimentation et retirez le cordon d'alimentation de la prise murale. La prise murale doit être facilement accessible et à proximité de la machine.
2. Lisez attentivement ces instructions. Conservez ces instructions pour une référence future.
3. Suivez tous les avertissements et les instructions indiquées sur le produit.
4. Ne pas utiliser ce produit à proximité de l'eau.
5. Ne pas placer ce produit sur un chariot, un support ou une table. Le produit peut tomber, causant de graves dommages à l'appareil.
6. Les fentes et les ouvertures dans le boîtier, l'arrière ou le fond sont prévues pour la ventilation afin d'assurer un fonctionnement fiable du produit et le protéger de la surchauffe. Ces ouvertures ne doivent pas être obstruées ou couvertes. Les ouvertures ne doivent jamais être bloquées en plaçant l'appareil sur un lit, un canapé, un tapis ou autre surface similaire. Ce produit ne doit jamais être placé : à proximité ou sur un radiateur, sur un registre de chaleur ou dans une installation intégrée à moins qu'une ventilation adéquate soit prévue.
7. Ce produit doit être utilisé avec le type d'alimentation indiqué sur l'étiquette. Si vous n'êtes pas sûr du type d'alimentation disponible, consultez votre revendeur ou représentant local de l'entreprise.
8. Ne laissez rien reposer sur le cordon d'alimentation. Ne placez pas ce produit là où des personnes peuvent marcher sur le cordon.
9. N'introduisez jamais d'objets d'aucune sorte dans ce produit à travers les fentes du coffret car ils pourraient entrer en contact avec des points sous tension dangereux ou court-circuiter des pièces. Ne renversez jamais de liquide d'aucune sorte sur le produit.
10. Pour éviter tout risque de choc électrique, cet équipement ne doit être branché que sur une prise secteur avec terre.
11. Aucune modification de cet équipement n'est autorisée.
12. L'alimentation est spécifiée comme faisant partie du matériel médical.
13. L'ordinateur médical peut être nettoyé conformément aux pratiques de nettoyage cliniques habituelles, notamment en essuyant avec de l'eau ou des lingettes de qualité médicale, à condition qu'aucune substance contenant des acides ou des liquides de nettoyage alcalins ne soient utilisés.
14. Les lingettes de qualité médicale ne doivent pas contenir plus de 80% d'alcool par rapport au contenu total de la lingette.
15. L'opérateur ne doit pas toucher le patient lorsqu'il utilise l'ordinateur médical.



This device complies with the requirements of the EEC directive 2014/30/EU with regard to “Electromagnetic compatibility” and 2014/35/EU “Low Voltage Directive”.



This device complies with part 15 of the FCC rules. Operation is subject to the following two conditions:

- (1) This device may not cause harmful interference.
- (2) This device must accept any interference received, including interference that may cause undesired operation.

CAUTION ON LITHIUM BATTERIES

There is a danger of explosion if the battery is replaced incorrectly. Replace only with the same or equivalent type recommended by the manufacturer. Discard used batteries according to the manufacturer’s instructions.



Battery Caution

Risk of explosion if battery is replaced by an incorrectly type. Dispose of used battery according to the local disposal instructions.



Safety Caution

Note: To comply with IEC60950-1 Clause 2.5 (limited power sources, L.P.S) related legislation, peripherals shall be 4.7.3.2 “Materials for fire enclosure” compliant.

4.7.3.2 Materials for fire enclosures

For MOVABLE EQUIPMENT having a total mass not exceeding 18kg.the material of a FIRE ENCLOSURE, in the thinnest significant wall thickness used, shall be of V-1 CLASS MATERIAL or shall pass the test of Clause A.2.

For MOVABLE EQUIPMENT having a total mass exceeding 18kg and for all STATIONARY EQUIPMENT, the material of a FIRE ENCLOSURE, in the thinnest significant wall thickness used, shall be of 5VB CLASS MATERIAL or shall pass the test of Clause A.1

AVERTISSEMENT SUR LES BATTERIES AU LITHIUM

Il y a un danger d’explosion si la batterie n’est pas remplacée correctement. Remplacez-la uniquement par une batterie identique ou de type équivalent recommandée par le fabricant.les batteries usagées doivent être mises au rebut conformément aux instructions du fabricant.



Avertissement Batterie

Risque d'explosion si la batterie est remplacée par un élément incompatible.
Jetez les batteries usagées selon les instructions des dispositions locales .



Avertissement de sécurité

Remarque: Pour répondre à la norme IEC60950-1 alinéa 2.5 (sources d'énergie limitées, LPS) liés la législation, les périphériques doivent être conforme 4.7.3.2 «Matériaux pour enceinte coupe-feu»

4.7.3.2 «Matériaux pour équipements coupe-feu»

Pour les équipements mobiles ayant une masse totale n'excédant pas 18kg :

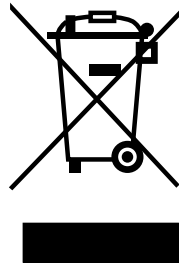
Les matériaux d'un équipement coupe-feu, dans l'épaisseur de paroi retenue la plus significativement mince, doivent être des matériels de CLASSE V-1 ou doivent passer le test de l'article A.2.

Pour équipements mobiles ayant une masse totale supérieure à 18 kg et pour tous les équipements FIXES :

Les matériaux d'un équipement coupe-feu dans l'épaisseur de paroi retenue la plus significativement mince, doivent être des matériels de CLASSE V-1, doivent être de classe Matériel 5VB ou doivent passer le test de l'article A.1

LEGISLATION AND WEEE SYMBOL

2012/19/EU Waste Electrical and Electronic Equipment Directive on the treatment, collection, recycling and disposal of electric and electronic devices and their components.



The crossed dust bin symbol on the device means that it should not be disposed of with other household wastes at the end of its working life. Instead, the device should be taken to the waste collection centers for activation of the treatment, collection, recycling and disposal procedure.

To prevent possible harm to the environment or human health from uncontrolled waste disposal, please separate this from other types of wastes and recycle it responsibly to promote the sustainable reuse of material resources.

Household users should contact either the retailer where they purchased this product, or their local government office, for details of where and how they can take this item for environmentally safe recycling.

Business users should contact their supplier and check the terms and conditions of the purchase contract.

This product should not be mixed with other commercial wastes for disposal.

Troubleshooting

For your own safety and that of your equipment, always take the following precautions. Disconnect the power plug (by pulling the plug, not the cord), from your computer if any of the following conditions exists:

- The power cord or plug becomes frayed or otherwise damaged.
- You spill something into the system.
- Your computer has been dropped or damaged.
- You suspect that your computer needs service or repair.
- You want to clean the computer or screen.
- You want to remove/install any parts.

Repair of the device may only be carried out by the manufacture. We recommend that a service contract be obtained with supplier and that all repairs also be carried out by them. Otherwise the correct functioning of the device may be compromised.

Revision History

Changes to the original user manual are listed below:

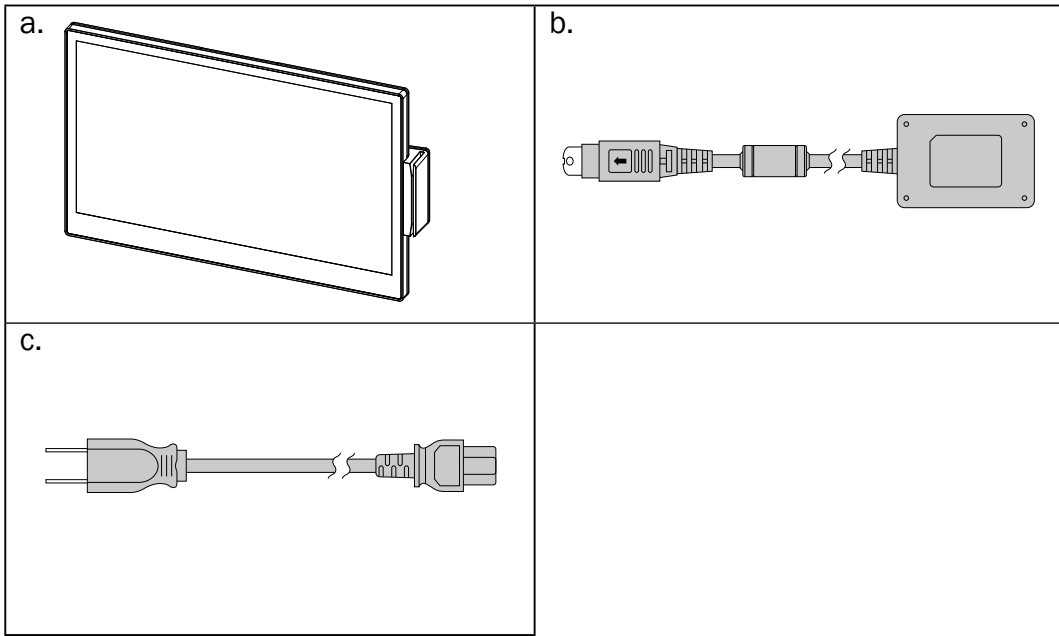
Revision	Description	Date
1.0	• Initial release	February 2024

Table of Contents

1. Packing List	1
1-1. Standard Items.....	1
1-2. Optional Items	2
2. System View	3
2-1. Front & Side View	3
2-2. Rear & Bottom View	3
2-3. I/O View	4
2-4. Dimensions.....	5
3. System Assembly	6
3-1. Powering On & Off	6
3-2. Remove the Cable Cover	6
3-3. Replace the M.2 SSD Card	7
4. Peripherals Installation	8
4-1. Install the MSR/ Fingerprint/ 2D Scanner/ NFC Camera/ Light bar	8
5. Specification	9
6. Configuration	11
6-1. F35 Motherboard	11
6-1-1. Motherboard Layout.....	11
6-1-2. Connectors & Functions	12
6-1-3. Jumper Setting	13
6-2. F85U Motherboard.....	16
6-2-1. Motherboard Layout.....	16
6-2-2. Connectors & Functions	17
6-2-3. Jumper Setting	18

1. Packing List

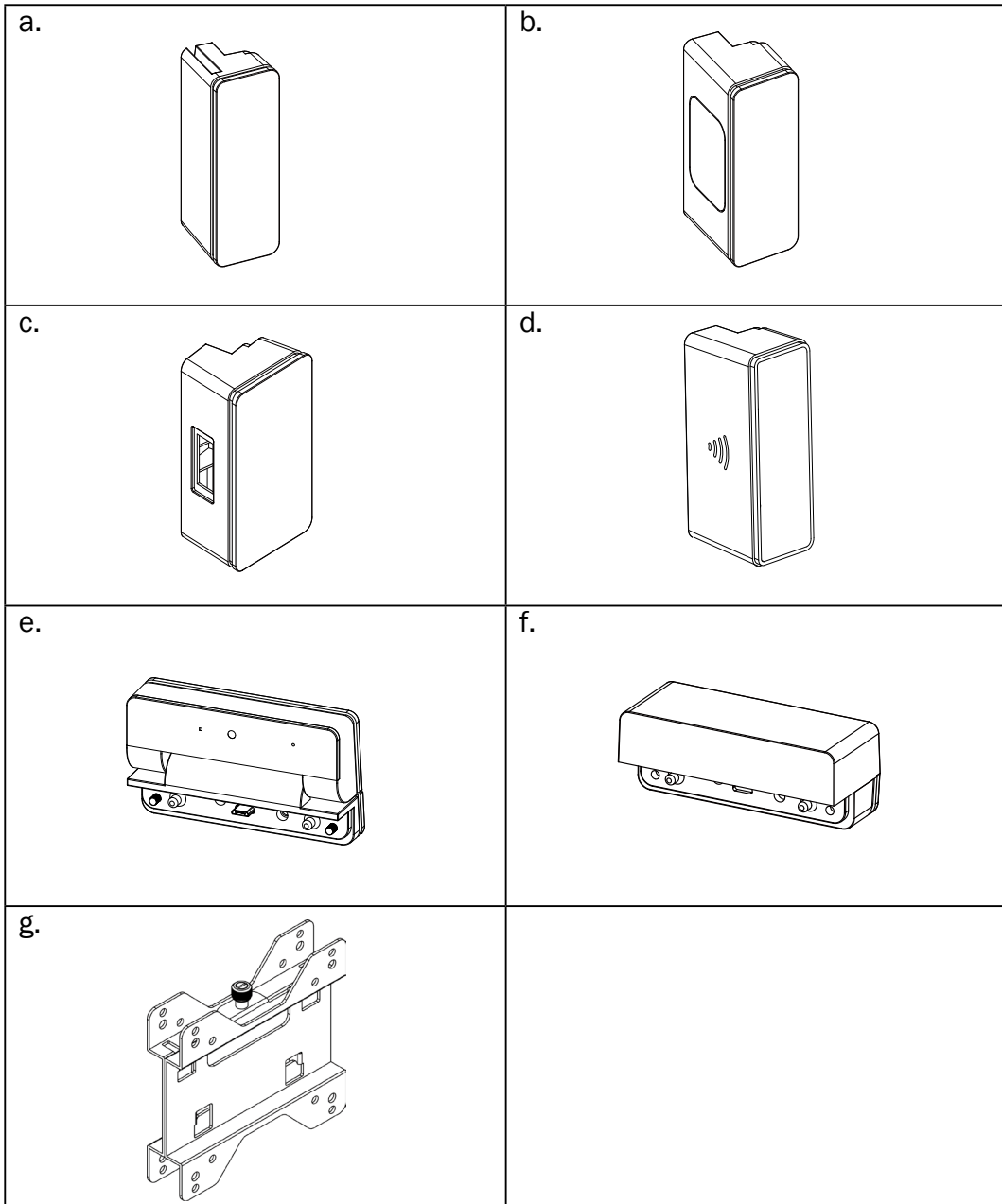
1-1. Standard Items



- a. System
- b. Power adapter
- c. Power cord

Note: Power cord will be supplied differently according to various region or country.

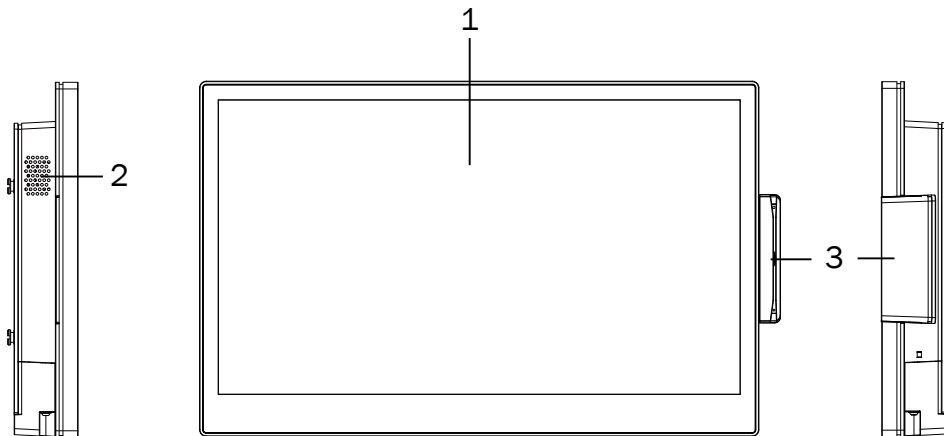
1-2. Optional Items



- a. MSR
- b. Fingerprint
- c. 2D scanner
- d. NFC
- e. Camera
- f. Light bar
- g. Wall mount kits

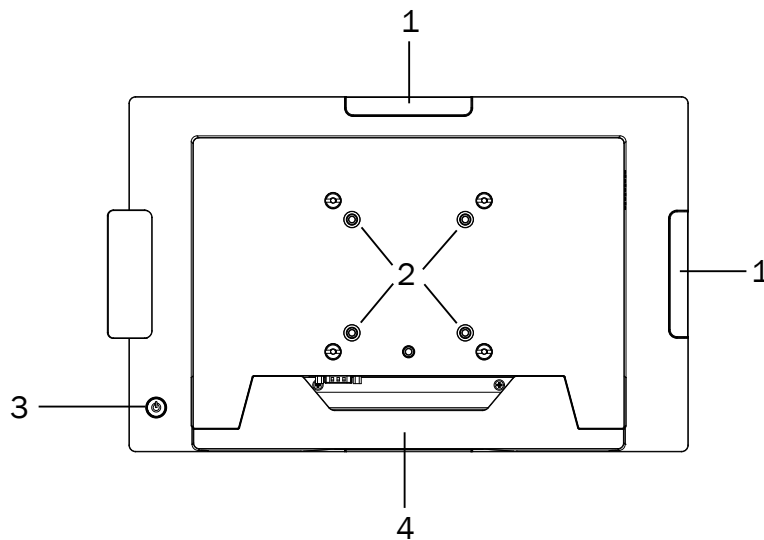
2. System View

2-1. Front & Side View



Item No.	Description
1	Touch panel
2	Speaker
3	MSR/ Fingerprint / 2D scanner/ NFC/ Camera/ Light bar

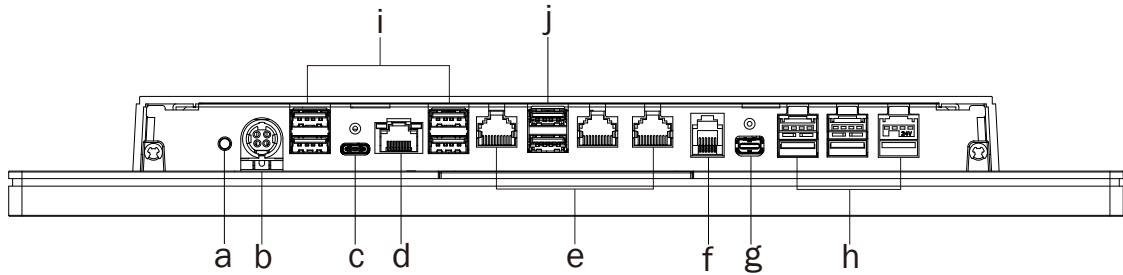
2-2. Rear & Bottom View



Item No.	Description
1	Dummy cover of peripherals
2	75 x 75 mm /100 x 100mm VESA mounting holes
3	Power button
4	Cable cover

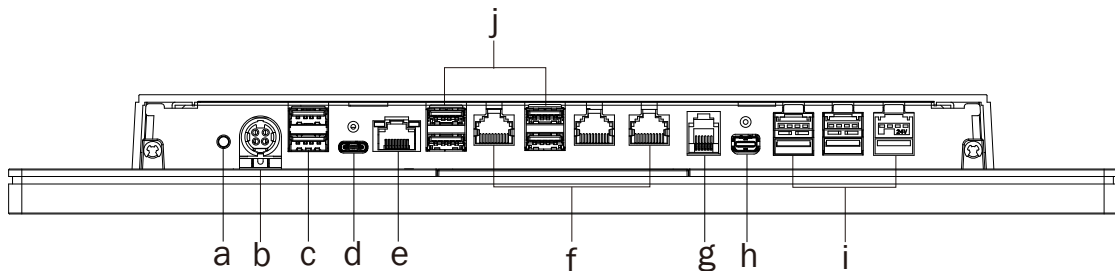
2-3. I/O View

F35 Motherboard



No.	Description
a	Power button
b	DC 19V in
c	USB Type-C (USB 3.0)
d	LAN
e	COM x 3
f	Cash drawer
g	FeDP
h	Powered USB x 3 (option)
i	USB 2.0 x 4
j	USB 3.0 x 2

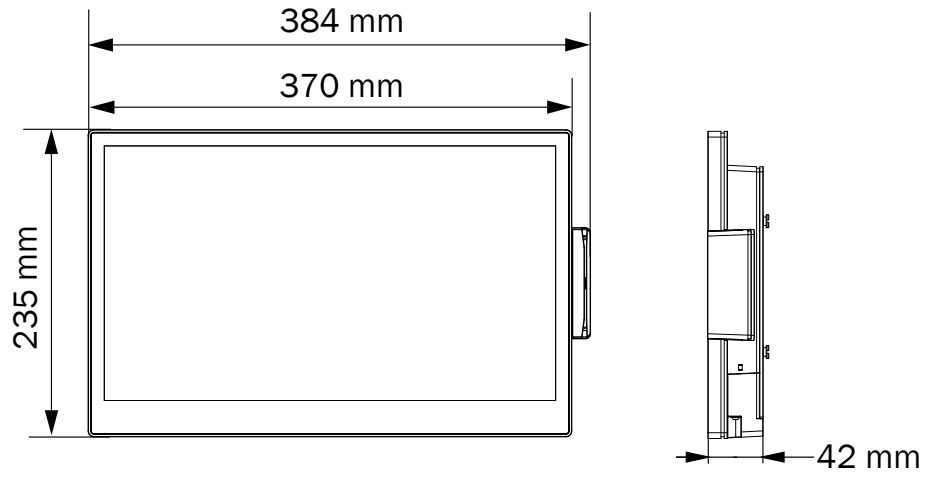
F85U Motherboard



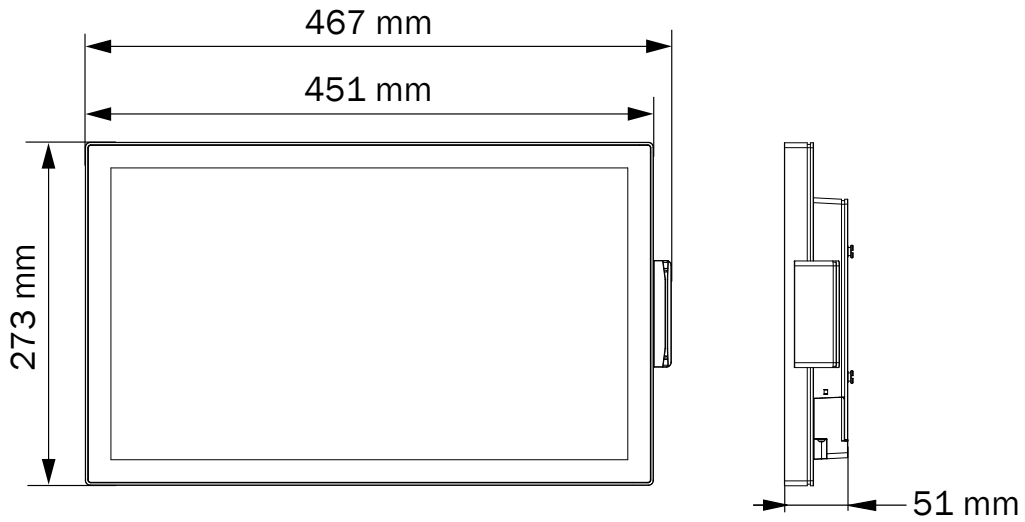
No.	Description
a	Power button
b	DC 19V in
c	USB 2.0 x 2
d	USB Type-C (USB 3.0)
e	LAN
f	COM x 3
g	Cash drawer
h	FeDP
i	Powered USB x 3 (option)
j	USB 3.0 x 4

2-4. Dimensions

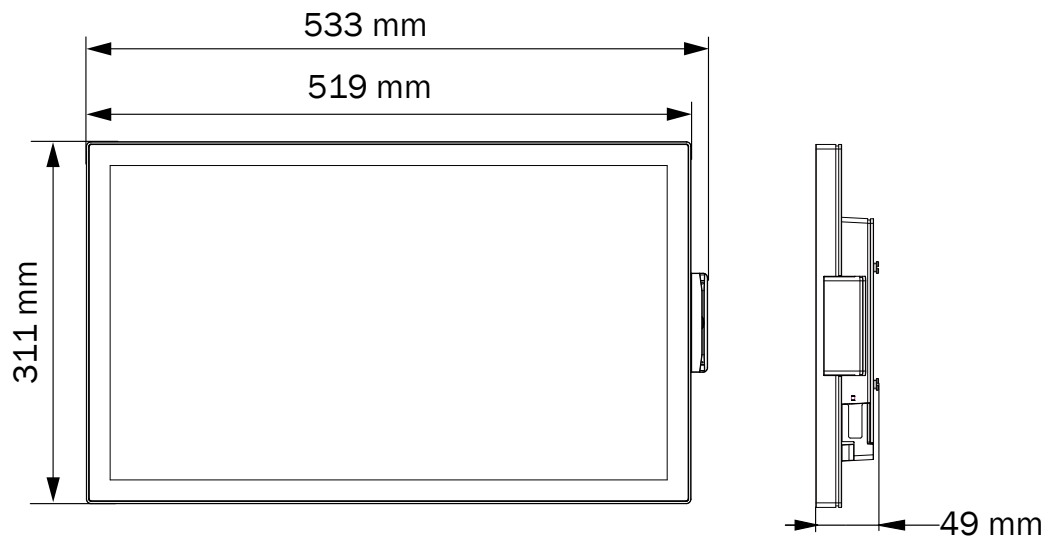
K737N - 15.6" LED panel



K738N - 18.5" LED panel

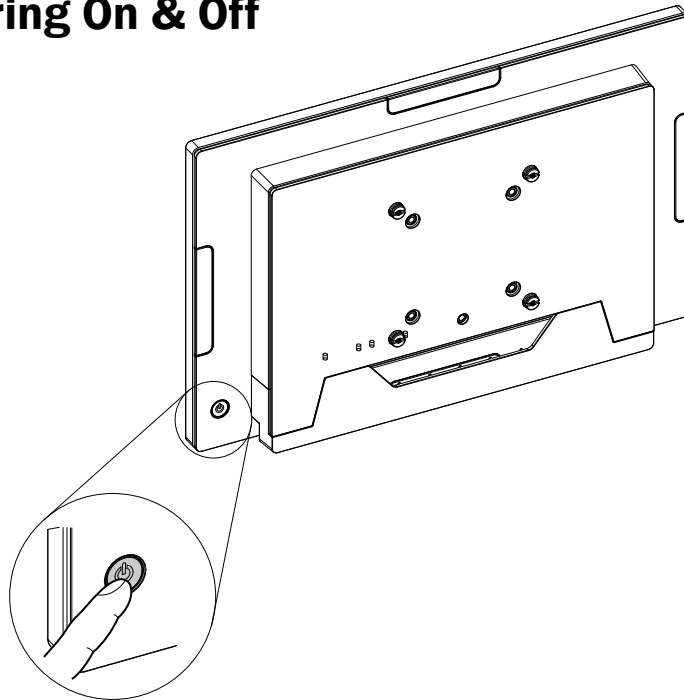


K739N - 21.5" LED panel



3. System Assembly

3-1. Powering On & Off

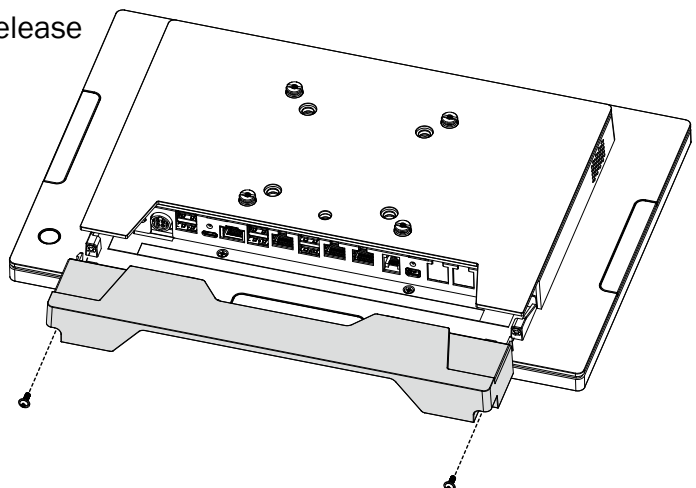


To activate the system, push and quickly release the power button and the display will come on in a few seconds. **NOTE:** The system must be plugged into power adapter before turning on for the first time.

To turn off the system, power off the device safely using software function that “shuts down computer” provided in the operating system.

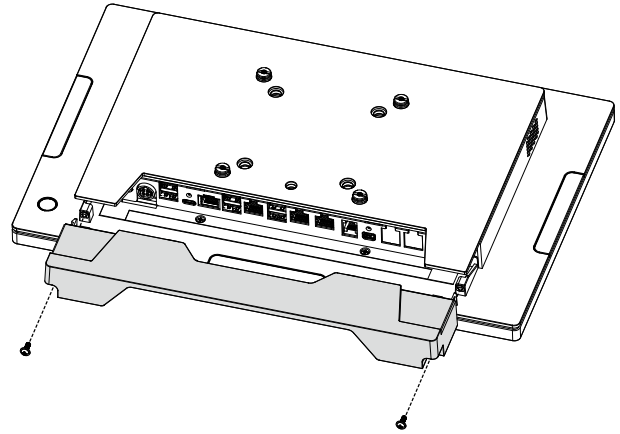
3-2. Remove the Cable Cover

1. Turn to the back side of the system and loosen the screws (x2) to release the cable cover.

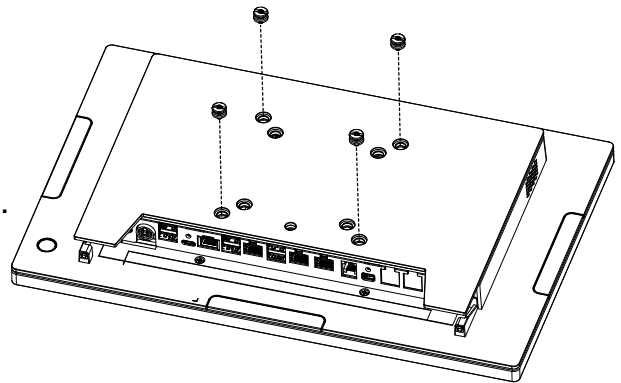


3-3. Replace the M.2 SSD Card

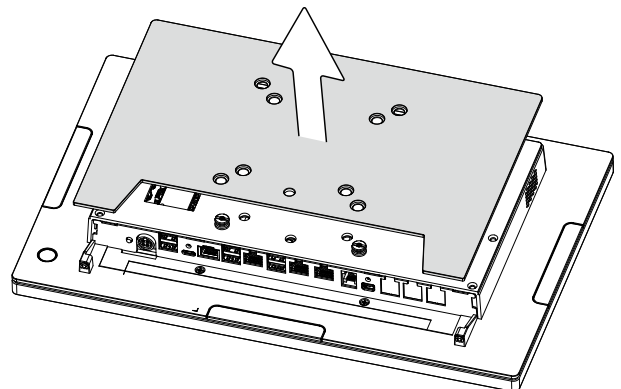
1. To replace the M.2 SSD card, please remove the cable cover firstly as steps dscribed in chapter 3-2.



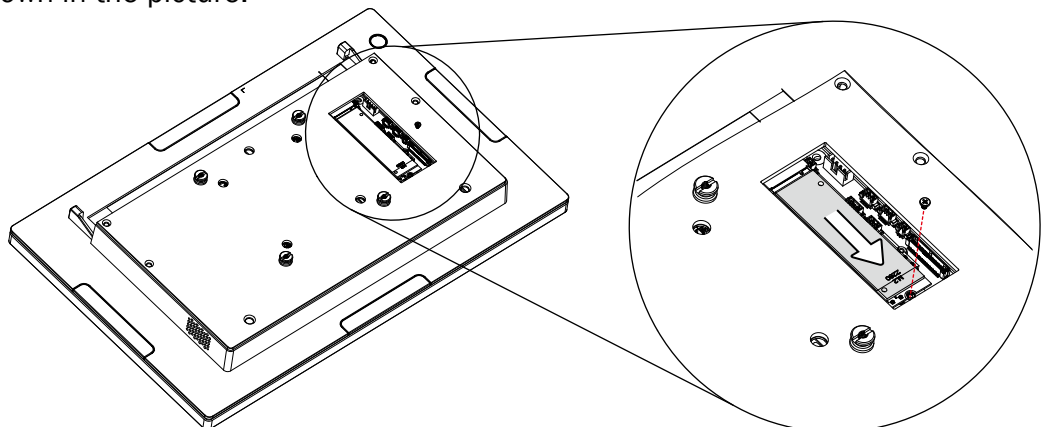
2. Remove the wall mount screws (x4).



3. Lift the decorative plate up.

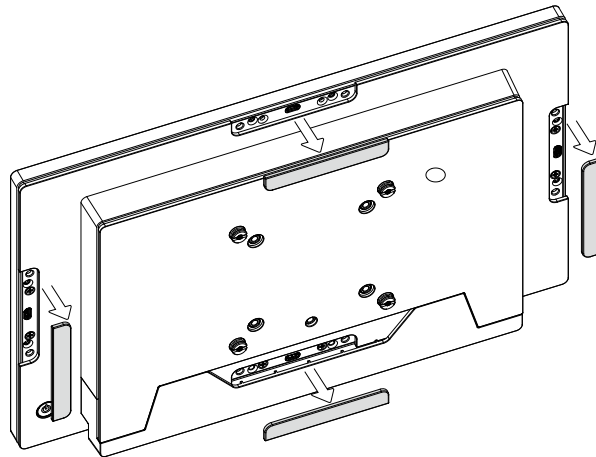


4. Remove the screws (x1) and pull the M.2 SSD cards outwards as shown in the picture.

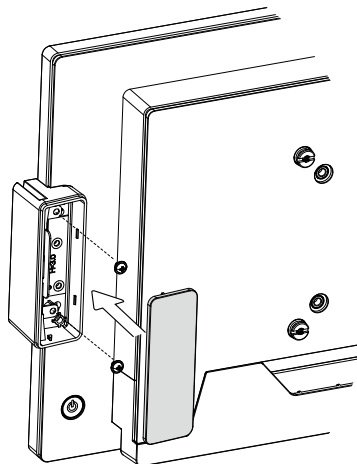


4. Peripherals Installation

4-1. Install the MSR/ Fingerprint/ 2D Scanner/ NFC/ Camera/ Light bar



1. The variety of peripherals MSR, Fingerprint, 2D scanner, NFC, Camera, and Light bar can be installed to each side of the system depends on your preference.
2. Remove the dummy cover.



3. Insert the MSR/ Fingerprint/ 2D scanner/ NFC/ Camera/ Light bar and fasten the screws (x2). Then attach the top cover of the module.

5. Specification

Model Name	K737N	K738N	K739N
Mainboard			
F35			
CPU	Intel Elkhart Lake CPU J6412		
Chipset	CPU Integrated		
System memory	1x DDR4 3200MHz SO-DIMM up to 32GB		
LCD/Touch Panel			
LCD size	15.6" LED panel	18.5" LED panel	21.5" LED panel
Brightness	300 nits	250 nits	300 nits
Maximal resolution	1920 x 1080 (full HD)	1366 x 768 (HD)	1920 x 1080 (full HD)
Touch screen type	True flat PCAP multi touch		
Storage			
Flash memory	1x M.2 SATA SSD module 128GB		
Peripherals (Option)			
Webcam	5M (USB)		
MSR	1 (USB)		
NFC	1 (USB)		
2D scanner	1 (USB)		
Fingerprint	1 (USB)		
Status light	1 (USB)		
Communication			
Wireless LAN (option)	M.2 WLAN card		
External I/O Ports			
USB Type A	6 (4 x USB 2.0 / 2 x USB 3.0)		
USB Type C	1 x full-function USB 3.0 & DP / PD source 5V(3A)/12V(3A)/19V(5A)		
Serial / COM	3 x RJ48		
LAN	1x RJ45		
Cash drawer	1x RJ11		
Mini display port	1 x FeDP (proprietary)		
DC jack	1 (4 pin w/lock)		
Power button	1		
Expansion I/O Ports			
Powered USB (option)	2 x powered USB 12V, 1 x powered USB 24V		
Control/ Indicate			
Power button	1		
LED indicator	1		
Audio			
Speaker	1x 3W		
Power			
Power adapter	default 19V/65W, 120W with powered USB		
Environment			
EMC & Safety	FCC Class A, CE mark Class A, LVD		
Operating temperature	0°C ~ 40°C (32°F ~ 104°F)		
Storage temperature	-20° ~ 60°C (-4°F ~ 140°F)		
Humidity	20% - 85% RH non-condensing		
Dust & Water proof	IP 54 (front panel)		
Weight	3.0 Kg	4.4 Kg	5.4 Kg
Dimensions (W x H x D)	370 x 235 x 42 mm	451 x 273 x 51 mm	519 x 311 x 49 mm
Mounting	VESA mount holes 75 x 75 mm / 100 x 100 mm		
OS support	Windows 10 IoT Enterprise, Linux, Android 13.0		

*This specification is subject to change without prior notice.

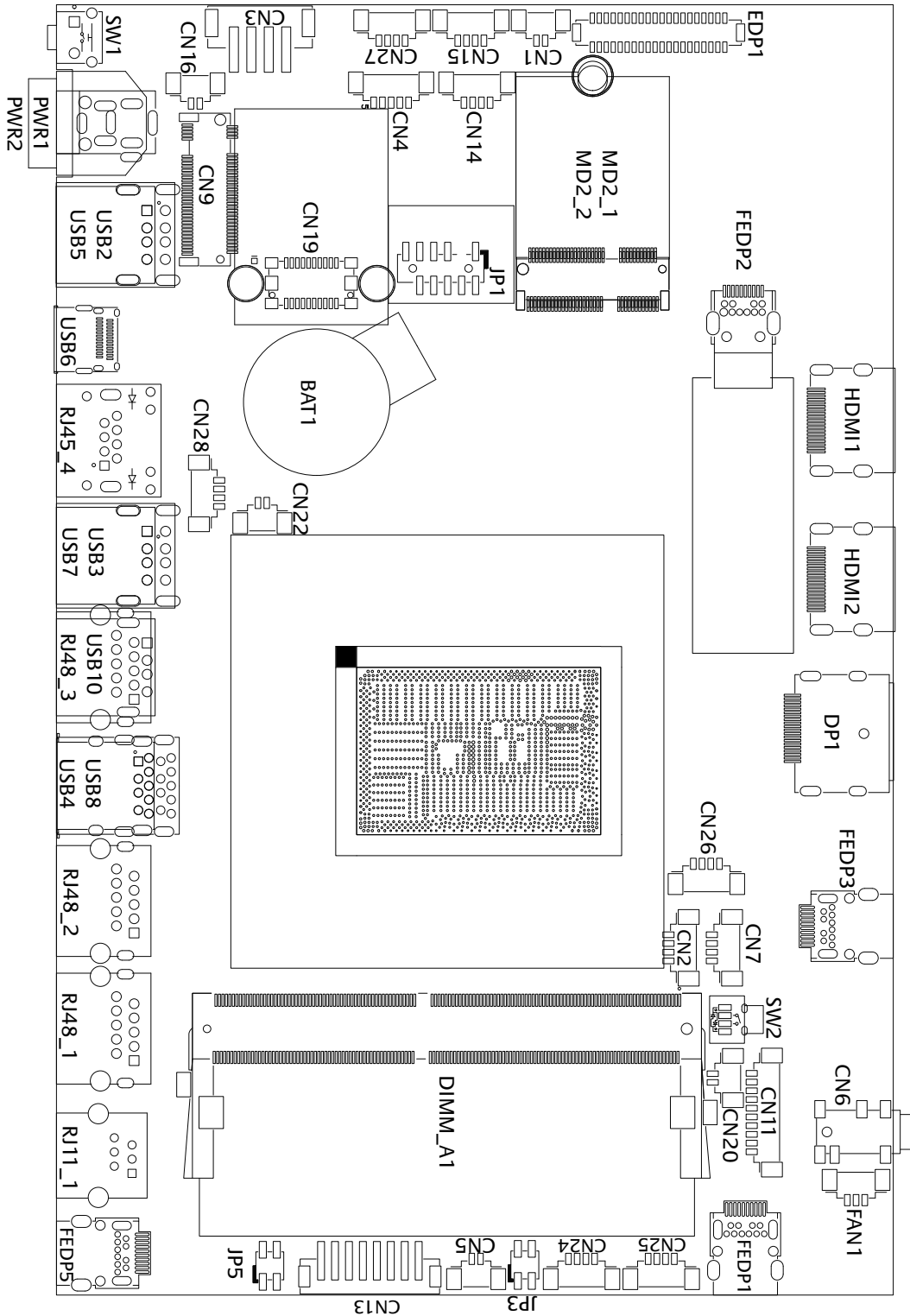
Model Name	K737N	K738N	K739N
Mainboard	F85U		
CPU	Intel Tiger Lake CPU i3-1115G4E, i5-1145G7E		
Chipset	CPU Integrated		
System memory	1x DDR4 3200MHz SO-DIMM up to 32GB		
LCD/Touch Panel			
LCD size	15.6" LED panel	18.5" LED panel	21.5" LED panel
Brightness	300 nits	250 nits	300 nits
Maximal resolution	1920 x 1080 (full HD)	1366 x 768 (HD)	1920 x 1080 (full HD)
Touch screen type	True flat PCAP multi touch		
Storage			
Flash memory	1x M.2 SATA SSD module 128GB		
Peripherals (Option)			
Webcam	5M (USB)		
MSR	1 (USB)		
NFC	1 (USB)		
2D scanner	1 (USB)		
Fingerprint	1 (USB)		
Status light	1 (USB)		
Communication			
Wireless LAN (option)	M.2 WLAN card		
External I/O Ports			
USB Type A	6 (2 x USB 2.0 / 4 x USB 3.0)		
USB Type C	1 x full-function USB 3.0 & DP / PD source 5V(3A)/12V(3A)/19V(5A)		
Serial / COM	3 x RJ48		
LAN	1x RJ45		
Cash drawer	1x RJ11		
Mini display port	1 x FeDP (proprietary)		
DC jack	1 (4 pin w/lock)		
Power button	1		
Expansion I/O Ports			
Powered USB (option)	2 x powered USB 12V, 1 x powered USB 24V		
Control/ Indicate			
Power button	1		
LED indicator	1		
Audio			
Speaker	1x 3W		
Power			
Power adapter	120W/19V		
Environment			
EMC & Safety	FCC Class A, CE mark Class A, LVD		
Operating temperature	0°C ~ 40°C (32°F ~ 104°F)		
Storage temperature	-20° ~ 60°C (-4°F ~ 140°F)		
Humidity	20% - 85% RH non-condensing		
Dust & Water proof	IP 54 (front panel)		
Weight	3.0 Kg	4.4 Kg	5.4 Kg
Dimensions (W x H x D)	370 x 235 x 42 mm	451 x 273 x 51 mm	519 x 311 x 49 mm
Mounting	VESA mount holes 75 x 75 mm /100 x 100 mm		
OS support	Windows 10 IoT Enterprise, Linux		

*This specification is subject to change without prior notice.

6. Configuration

6-1. F35 Motherboard

6-1-1. Motherboard Layout



6-1-2. Connectors & Functions

Connector	Function
CN1	Speaker R connector
CN2	4 pin power button w/2 LED connector
CN3	SATA power connector
CN4	EC debug connector
CN5	Speaker L connector
CN6	Audio jack
CN7	Line-out connector
CN8	Power LED connector
CN9	M.2 slot, M-Key for storage
CN11	COM4 connector
CN13	Wide range power connector
CN14/CN15/CN24/CN25/ CN26/CN27/CN28	Int USB 2.0 connector
CN16	HDD LED connector
CN19	OOB connector
CN20	Mic-in connector
CN22	RTC battery connector
DIMM_A1	SO-DIMM socket
BZ1	Buzzer
FAN1	FAN connector
MD2_1	M.2 slot, E-Key for wireless card
EDP1	40 pin eDP Connector
DP1	DP connector
FEDP1	Main FeDP connector
FEDP2/FE PD3/FE DP5	2 nd FeDP connector
HDMI1/HDMI2	HDMI connector
SW1	Power button
SW2	Power button w/LED connector
PWR1/PWR2	DC-in connector
RJ11_1	Cash drawer connector
RJ45_4	LAN connector
RJ48_1	COM1 connector
RJ48_2	COM2 connector
RJ48_3	COM3 connector
USB	USB Type-C connector (DP/USB3.0)
USB2/USB3/USB5/USB7/ USB10	USB 2.0 connector
USB4/USB8	USB 3.0 connector
JP1	TPM connector
JP2	Speaker selection jumper
JP3	Audio Line-out setting jumper
JP5	Cash drawer power setting jumper

Note: Connectors and jumpers will be different according to product difference, the real object should be considered as final. Contact your POS Systems authorized distributor or reseller for technical information or specific device configuration.

6-1-3. Jumper Setting

Audio Line-out Setting Jumper

Function	JP3				
▲ Mono	<table border="1"> <tr> <td>1</td> <td>3</td> </tr> <tr> <td>2</td> <td>4</td> </tr> </table>	1	3	2	4
1	3				
2	4				
Stereo	<table border="1"> <tr> <td>1</td> <td>3</td> </tr> <tr> <td>2</td> <td>4</td> </tr> </table>	1	3	2	4
1	3				
2	4				

Cash Drawer Power Setting Jumper

Function	JP5				
▲ +19V	<table border="1"> <tr> <td>1</td> <td>3</td> </tr> <tr> <td>2</td> <td>4</td> </tr> </table>	1	3	2	4
1	3				
2	4				
+12V	<table border="1"> <tr> <td>1</td> <td>3</td> </tr> <tr> <td>2</td> <td>4</td> </tr> </table>	1	3	2	4
1	3				
2	4				

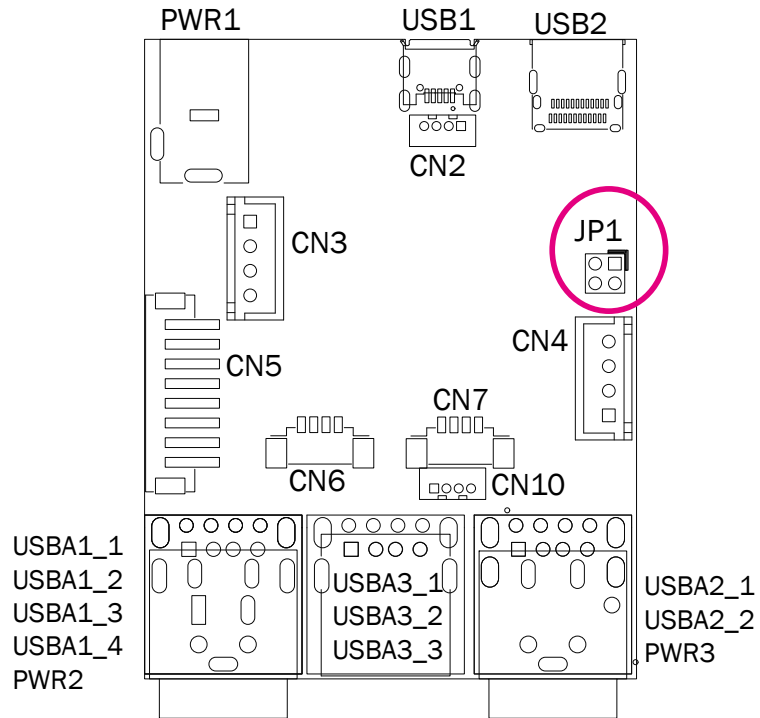
1
2

 Jumper open

1
2

 Jumper short
 ▲ = Manufacturer Default Setting

Powered USB Board



Adapter Watt Setting Jumper

Function	JP1				
180W	<table border="1"> <tr> <td>1</td> <td>3</td> </tr> <tr> <td>2</td> <td>4</td> </tr> </table>	1	3	2	4
1	3				
2	4				
▲ 120W	<table border="1"> <tr> <td>1</td> <td>3</td> </tr> <tr> <td>2</td> <td>4</td> </tr> </table>	1	3	2	4
1	3				
2	4				

1
2

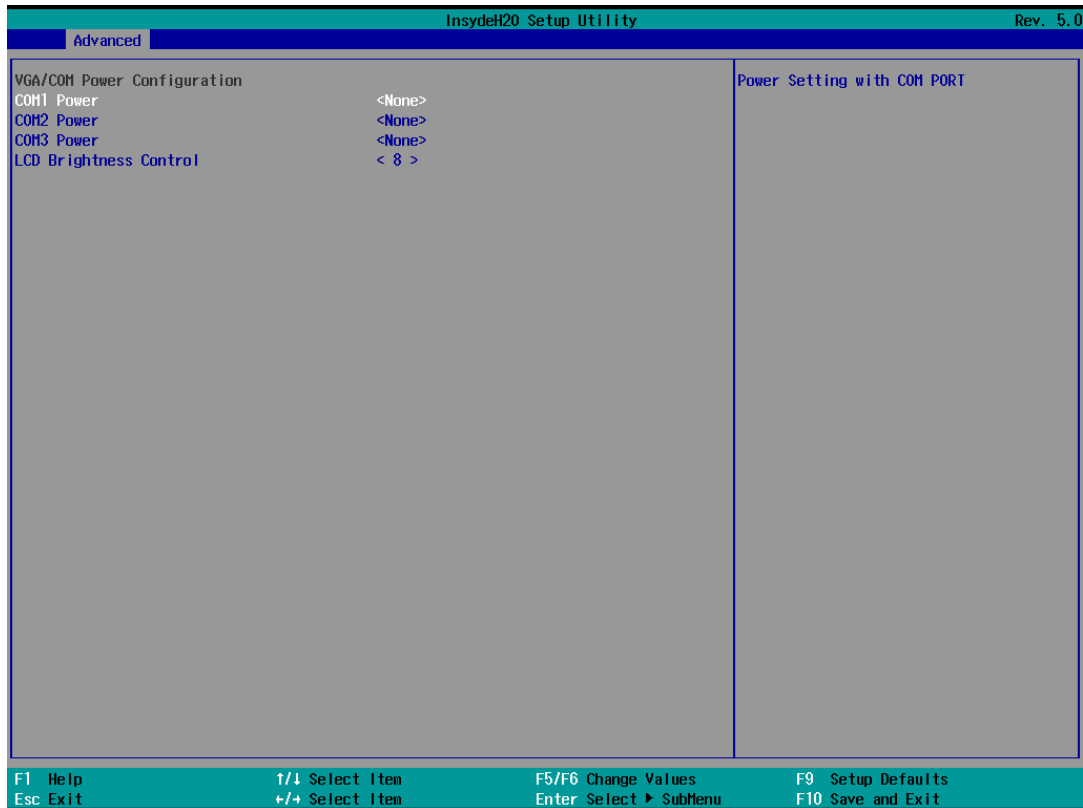
 Jumper open

1
2

 Jumper short
 ▲ = Manufacturer Default Setting

COM1/COM2/COM3 Power Setting

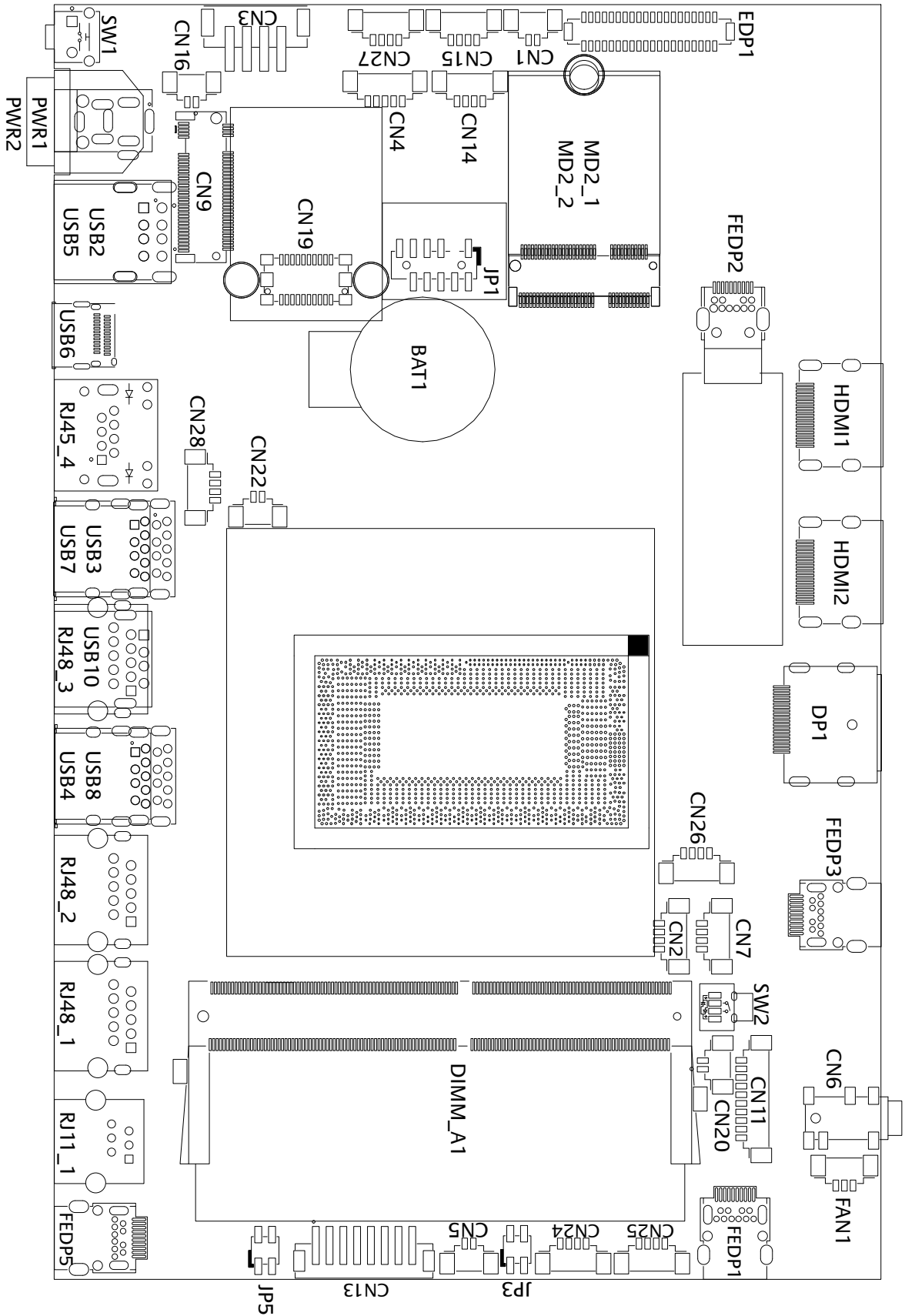
COM1, COM2 and COM3 can be set to provide power to your serial device. The voltage can be set to +5V or +12V in the BIOS.



1. Power on the system, and press the key when the system is booting up to enter the BIOS Setup utility.
2. Select the Advanced tab.
3. Select **VGA/COM Power Configuration** Ports and press <Enter> to go to display the available options.
4. To enable the power, select COM1 ,COM2, and COM3 Power setting and press <Enter>. Select Power and press <Enter>. Save the change by pressing F10.

6-2. F85U Motherboard

6-2-1. Motherboard Layout



6-2-2. Connectors & Functions

Connector	Function
CN1	Speaker R connector
CN2	4 pin power button w/2 LED connector
CN3	SATA power connector
CN4	EC debug connector
CN5	Speaker L connector
CN6	Audio jack
CN7	Line-out connector
CN8	Power LED connector
CN9	M.2 slot, M-Key for storage
CN11	COM4 connector
CN13	Wide range power connector
CN14/CN15/CN24/CN25/ CN26/CN27/CN28	Int USB 2.0 connector
CN16	HDD LED connector
CN19	OOB connector
CN20	Mic-in connector
CN22	RTC battery connector
DIMM_A1	SO-DIMM socket
BZ1	Buzzer
FAN1	FAN connector
MD2_1	M.2 slot, E-Key for wireless card
EDP1	40 pin eDP Connector
DP1	DP connector
FEDP1	Main FeDP connector
FEDP2/FE PD3/FE DP5	2 nd FeDP connector
HDMI1/HDMI2	HDMI connector
SW1	Power button
SW2	Power button w/LED connector
PWR1/PWR2	DC-in connector
RJ11_1	Cash drawer connector
RJ45_4	LAN connector
RJ48_1	COM1 connector
RJ48_2	COM2 connector
RJ48_3	COM3 connector
USB	USB Type-C connector (DP/USB3.0)
USB2/USB5/USB10	USB 2.0 connector
USB3/USB4/USB7/USB8	USB 3.0 connector
JP1	TPM connector
JP2	Speaker selection jumper
JP5	Cash drawer power setting jumper

Note: Connectors and jumpers will be different according to product difference, the real object should be considered as final. Contact your POS Systems authorized distributor or reseller for technical information or specific device configuration.

6-2-3. Jumper Setting

Audio Line-out Setting Jumper

Function	JP3		
▲ Stereo	<table border="1" style="margin-left: auto; margin-right: auto;"> <tr><td>1</td></tr> <tr><td>2</td></tr> </table>	1	2
1			
2			
Reserved (Line-out)	<table border="1" style="margin-left: auto; margin-right: auto;"> <tr><td>1</td></tr> <tr><td>2</td></tr> </table>	1	2
1			
2			

Cash Drawer Power Setting Jumper

Function	JP5				
▲ +19V	<table border="1" style="margin-left: auto; margin-right: auto;"> <tr><td>1</td><td>3</td></tr> <tr><td>2</td><td>4</td></tr> </table>	1	3	2	4
1	3				
2	4				
+12V	<table border="1" style="margin-left: auto; margin-right: auto;"> <tr><td>1</td><td>3</td></tr> <tr><td>2</td><td>4</td></tr> </table>	1	3	2	4
1	3				
2	4				

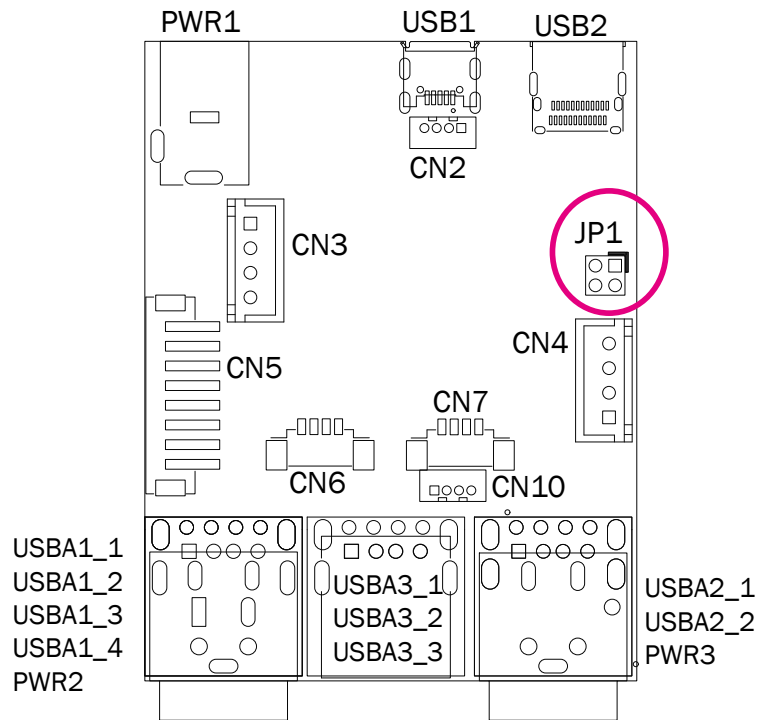
1
2

 Jumper open

1
2

 Jumper short
 ▲ = Manufacturer Default Setting

Powered USB Board



Adapter Watt Setting Jumper

Function	JP1				
180W	<table border="1"> <tr> <td>1</td> <td>3</td> </tr> <tr> <td>2</td> <td>4</td> </tr> </table>	1	3	2	4
1	3				
2	4				
▲ 120W	<table border="1"> <tr> <td>1</td> <td>3</td> </tr> <tr> <td>2</td> <td>4</td> </tr> </table>	1	3	2	4
1	3				
2	4				

1
2

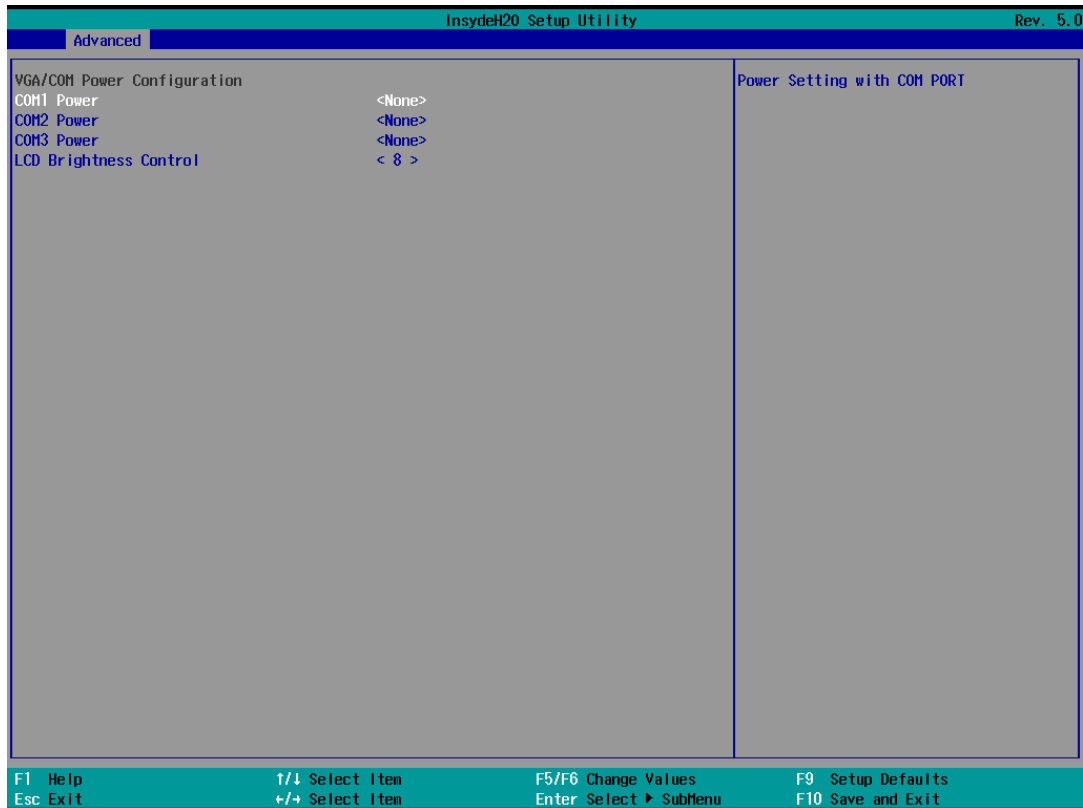
 Jumper open

1
2

 Jumper short
 ▲ = Manufacturer Default Setting

COM1/COM2/COM3 Power Setting

COM1, COM2 and COM3 can be set to provide power to your serial device. The voltage can be set to +5V or +12V in the BIOS.



1. Power on the system, and press the key when the system is booting up to enter the BIOS Setup utility.
2. Select the Advanced tab.
3. Select **VGA/COM Power Configuration** Ports and press <Enter> to go to display the available options.
4. To enable the power, select COM1 ,COM2, and COM3 Power setting and press <Enter>. Select Power and press <Enter>. Save the change by pressing F10.