



ALL-IN-ONE

www.ares.com

AURES
TOUCH THE DIFFERENCE



MOBILITY



KIOSK



PANELS PC



PRINTERS



DISPLAYS



ACCESSORIES

EKO



USER MANUAL

1. Precaution Segment

Changes to the EKO user manual are listed below.

Rev No.	Revision History	Date
EKO-USER-MANUAL-Rev1.0	NEW	MAY 2024

Preface

This User's Guide gives information about main unit/IO port layout, basic setup, component installation, and board layout for point of sale system.

Intended Audience

The User's Guide is intended for technically qualified personnel. It is not intended for general audiences.

Document Organization

The chapters in this Product User's manual are arranged as follows:





1. Specification
2. Installation
3. Motherboard

EKO Specification

System	
Processors	RK3399 Dual-core Cortex-A72 up to 1.8GHz Quad-core Cortex-A53 up to 1.4GHz
Memory	4GB Standard, DDR4 (On-board)
Storage	eMMC 64GB (On-board)
Operating Systems	Android 12
Audio	HD Audio Codec
Display	
Type	15.6" TFT LCD, LED Backlight, Projected Capacitive Touch
Resolution	1920 x 1080
Brightness	300 cd/m ²
Interface	
Display	1 x Displayport, MiniDP (Only compatible with TRX3000 displays)
USB	Rear 5 (4 x USB 2.0, 1 x USB-C)
Serial	1 COM RJ45
CashDrawer Port	1 x CashDrawer Port (RJ-12, 6 Pins(GPIO Communication))
WiFi / BT	BT(V5.0)+ WLAN (802.11 a/b/g/n, 2.4G/5G) combo module (On-board)
LAN	1 x Gigabit Ethernet , RJ-45
Audio & Speaker	1 x Line-out / 1W (Mono)
Power DC-IN	4 Pin DIN Jack
Power	
Power Supply	Adapter 12V, 5A(4 Pin Din Jack)
Options & Peripherals	
2nd Displays	10.1" (1280 x 800) LCD Display (ART-05525), Optional Touchscreen (ART-05526), 2x20 Customer Display (ART-05505)
External IO BOX	TRX3000-HUB : 1 x 12V Powered USB 2.0 / 1 x 24V Powered USB 2.0 / 2 x USB 2.0 / 2 x COM RJ45 (Full Signal) (ART-05527)
MSR	Comply with ISO 7811, Support 1 & 2 & 3 Track (ART T.B.D.)
Dallas Reader	ART T.B.D.
Wall Mount Kit	VESA75 BRACKET (ART-05536)
Conversion Cable	RJ-45 to D-sub 9 (ART-05548)

*Specification may differ according to product model or options.

SYMBOL; MARK

	<p>CE MARK</p> <p>This device complies with the requirements of the EEC directive 2004/108/EC with regard to “Electromagnetic compatibility” and 2006/95/EC “Low Voltage Directive”.</p>
	<p>FCC</p> <p>This device complies with part 15 of the FCC rules. Operation is subject to the following two conditions:</p> <ol style="list-style-type: none"> (1) This device may not cause harmful interference. (2) This device must accept any interference received, including interference that may cause undesired operation.
	<p>KC</p> <p>Korea Certification mark.</p>
	<p>WEEE</p> <p>Recycling and disposal of electric and electronic devices and their components</p> <p>This product should not be mixed with other commercial wastes for disposal.</p>

Copyright

This publication, including all photographs, illustrations and software, is protected under international copyright law with all rights reserved to the manufacturer. Neither this manual, nor any of the material contained herein, may be reproduced without express written consent of the author.

AURES is trademarks of AURES Technologies S.A. in the France and other countries.

* Other names and brands may be claimed as the property of others.

Copyright© AURES Technologies S.A. All rights reserved.

Safety Instructions

1. To disconnect the machine from the electrical power supply, turn off the power switch and remove the power cord plug from the wall socket.
2. The wall socket must be easily accessible and in close proximity to the machine.
3. Read these instructions carefully. Save these instructions for future reference.
4. Follow all warnings and instructions marked on the product.
5. Do not use this product near water.
6. Do not place this product on an unstable cart, stand, or table. The product may fall, causing serious damage to the product.
7. Slots and openings in the cabinet and the back or bottom are provided for ventilation to ensure reliable operation of the product and to protect it from overheating. These openings must not be blocked or covered.
8. The openings should never be blocked by placing the product on a bed, sofa, rug, or other similar surface.
9. This product should never be placed near or over a radiator or heat register or in a built-in installation unless proper ventilation is provided.
10. Never push objects of any kind into this product through cabinet slots as they may touch dangerous voltage points or short out parts that could result in a fire or electric shock. Never spill liquid of any kind on the product.

Notice

1. Always ensure that the correct power voltage is used as a precaution against fire and electrical shock.
2. Avoid exposing product to direct sunlight. Do not use product in areas of high humidity. Doing so may cause low reliability and/or operational malfunction.
3. Be careful of static electricity on PCB of system with anti-static appliances. Doing so may cause inferior reliability and shorted product life.
4. Keep product away from highly static areas. This may lead to inferior performance and reduced life cycle.
5. Do not interfere with, or obstruct metal components inside product. Doing so may cause the risk of fire or electric shock.
6. Do not pull on power cable or peripheral devices' connector cable. Doing so may cause fire, electric shock or electronic system malfunction.
7. Use caution when around other electronic devices with possible high frequency or electro-magnetic effects e.g. Audio, Electronic-range etc. Doing so will lead to the serious risk of product malfunctioning or a system error occurring.
8. Ensure that batteries are replaced correctly. Failure to do this may result in sudden explosions.
9. Dispose of used batteries properly according to the instructions.

Liability Limitation

• Installation and maintenance

We recommend that you inquire about product installation, maintenance and repair USER from the official USER center and agent office.

AURES takes no responsibility for malfunctions or system errors occurring after USER and/or system check carried out by unofficial USER providers.

• High frequency appliances

This product is qualified by FCC, CE and KC compliances, and is thus governed by these qualifications' safety regulations. However, the product can affect and be affected by other high frequencies generated around it. As such, AURES does not consider liability for any system error or disorder due to this issue.

• Electronic noise emitting equipment

We recommend using the product away from electronic noise emitting equipment such as heaters, motors, fluorescent lights, TVs etc. as it may cause interruption or interference with normal operation.

• Installation location

For optimal performance, the product should be kept in an environment of lower than 65% humidity and in a temperature of 10 ~ 30°C. Please also keep away from direct sun-light.

• Cleaning procedure

Cleaning with chemical based products (in particular those containing benzyl or chemical thinning agents) can damage the exterior surfaces of the product. We recommend using a soft damp cloth and wiping gently, taking particular care when dealing with the LCD display screen.

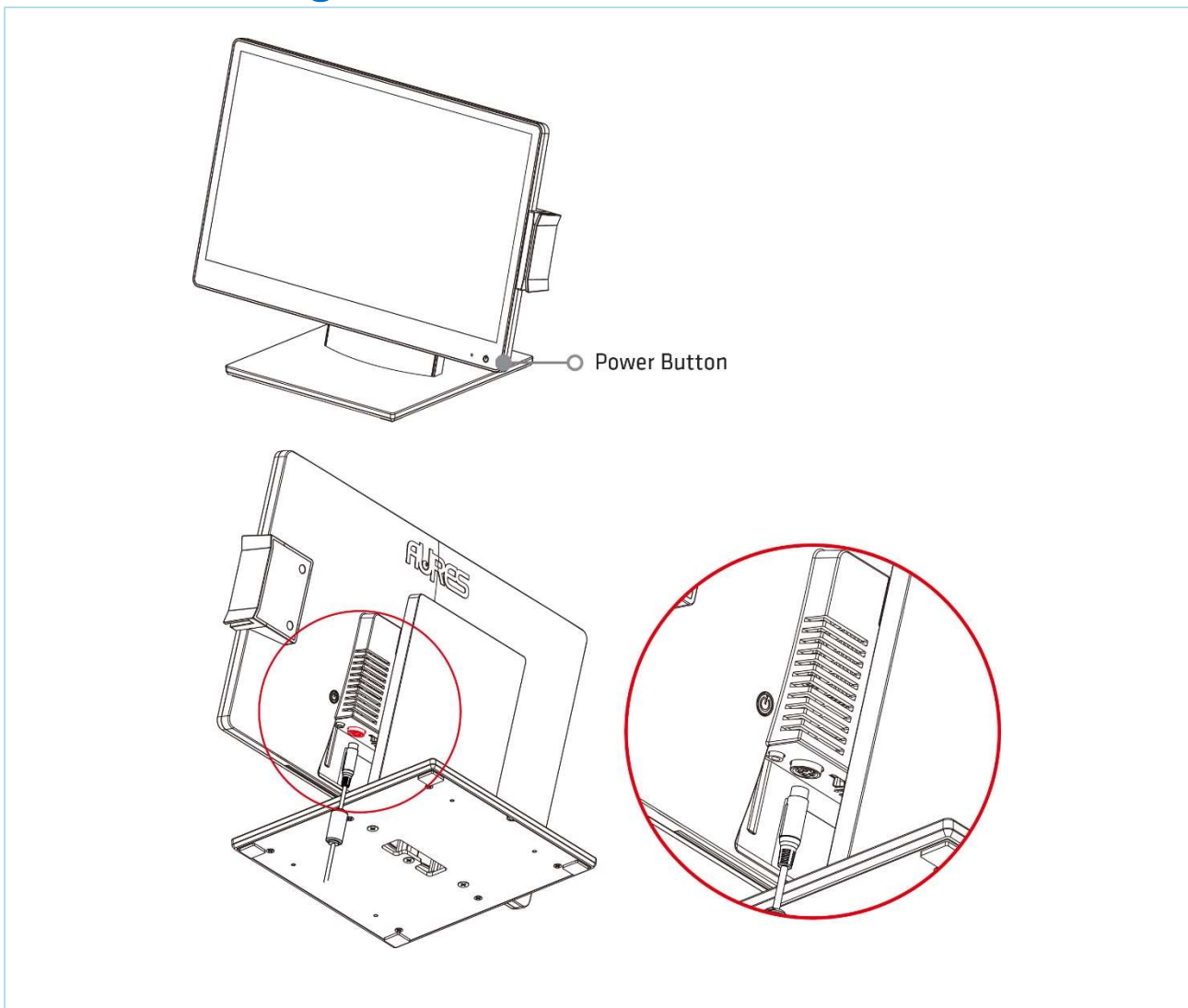
• Product limitations

1. The use of this product for anything other than POS tasks is strictly prohibited.
The product is not supported for regular PC and interface operation.
2. This product is for business use only, and not for usage in the home.
3. Both hardware and software are both fully configured.
4. Normal operating is guaranteed on a steady power connection.

Installation Recommendations

1. Avoid installing during thunderstorms. (Possibility of dangerous exposure to electricity.)
2. Install away from damp spaces or water-leaks.
3. Beware of static occurrence during installation.
4. Use only ground connected and quality certified power cords and cables.
5. Keep out of direct sun-light, extremely high or low temperatures, or high humidity areas.
6. Install product away from areas prone to shocks or vibration.
7. Install product away from sewing machines, welding equipment, electric stoves, audio equipment and other high frequency generating equipment.
8. Installation and use in close proximity to an air-conditioning unit is not recommended.
9. Do not connect cables underneath carpets or floorboards.
10. Only use power cables supplied by pre-approved and certified venders.
11. Never use power cords from high power source appliances.
e.g. Electronic heaters, Electric stoves, Audio equipment, Air-conditioners, Refrigerators etc.
12. The use of multiple connections in a shared power outlet/socket is not recommended.

Power management



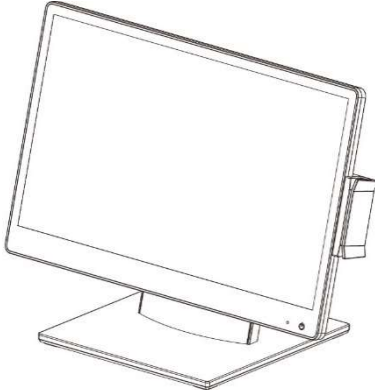
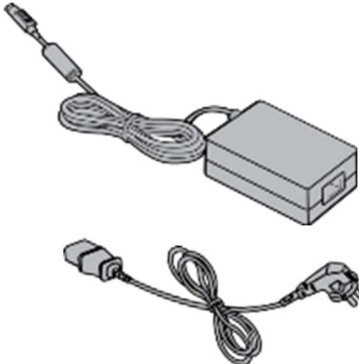
Android

1. To turn on the power, press and hold the power button for a few seconds.
2. To turn off the power, press and hold the power button for a few seconds and select the [Power off] displayed on the screen.

1. Product Overview

Inside Your Package

1. Please check your package and confirm its contents.
2. The POS terminal main unit, power cable and power supply are included in the package. If any items are missing or damaged, please contact your dealer for assistance.
 - » All user manuals and drivers are available for download on our website: www-aures-support.com

EKO	
Adapter / Power cord	

2. Installation

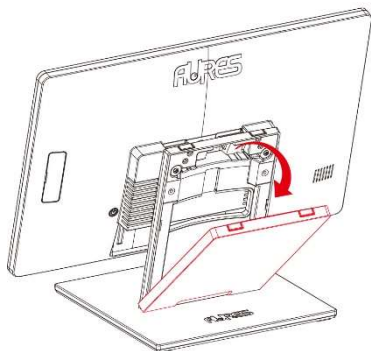
Start-up

Caution 1) Check if the power connected to POS terminal is turned off.

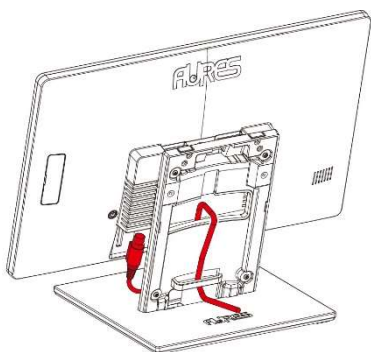
Caution 2) Separate all cables connected to system box.

Assemble Stand

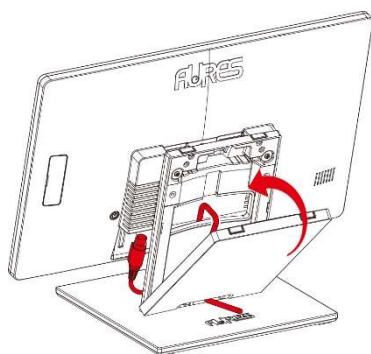
Step 1: how to remove the back cover.



Step 2: cable management & power supply connection.



Step 3: how to close the back cover.



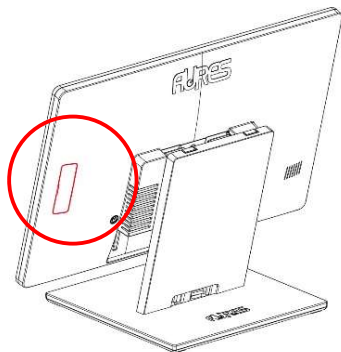
Side accessories installation (MSR, Dallas)

Caution 1) Check if the power connected to POS terminal is turned off.

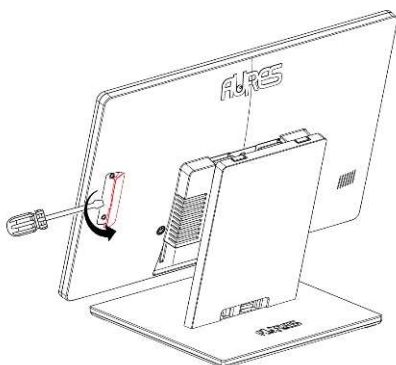
Caution 2) Separate all cables connected to system box.

Assemble MSR

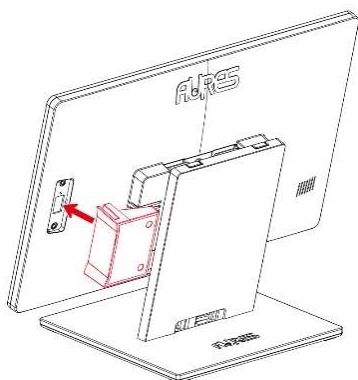
Step 1: identify the side accessories door.

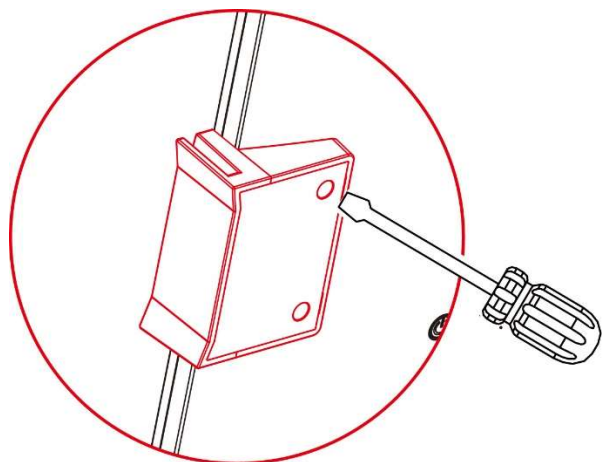


Step 2: remove the accessories door.



Step 3: install the chosen accessory.



Assemble MSR

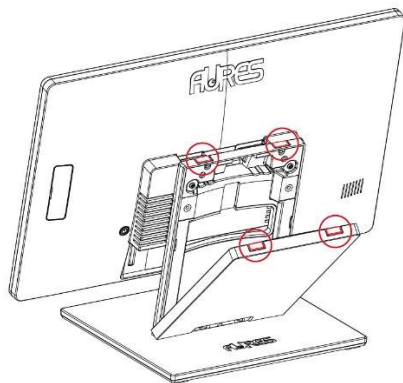
Step 4: secure by screwing it on.

Display installation (VFD, 10.1inch)

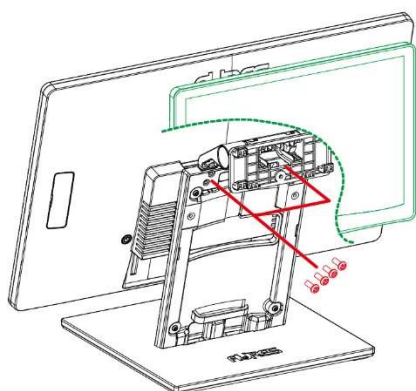
Caution 1) Check if the power connected to POS terminal is turned off.

Caution 2) Separate all cables connected to system box.

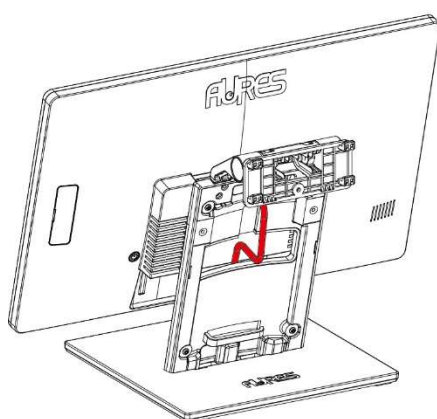
Assemble 2nd Display



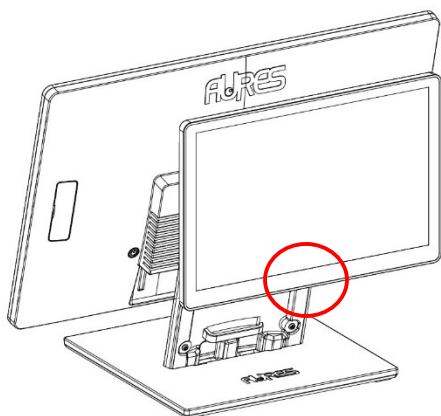
Step 1: identify and “brake” the 4 holes covers.



Step 2: insert the display arms and screw them on. (4 screws are provided with the optional display.)



Step 3: cables management.

Assemble 2nd Display

Step 4: connect to the miniDP port.

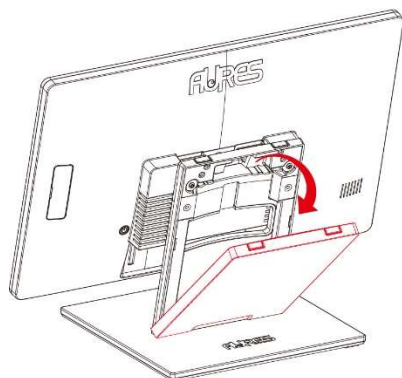
VESA installation

Caution 1) Check if the power connected to POS terminal is turned off.

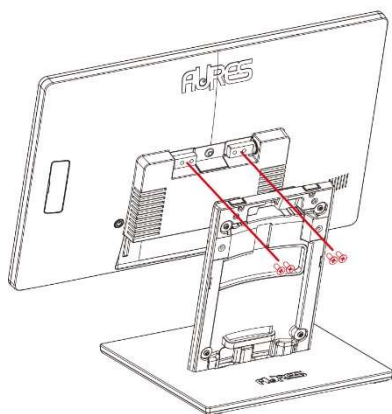
Caution 2) Separate all cables connected to system box.

Assemble VESA

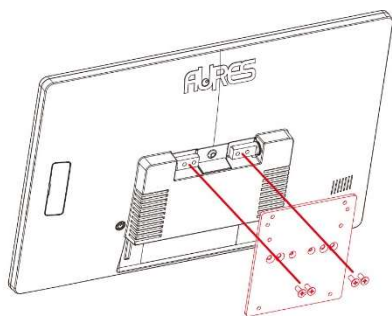
Step 1: identify and remove the stand cover.



Step 2: unscrew and separate the stand from the display.



Step 3: secure VESA by screwing it on.

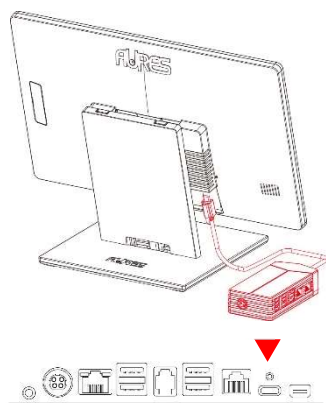


HUB installation

Caution 1) Check if the power connected to POS terminal is turned off.

Caution 2) Separate all cables connected to system box.

Assemble HUB



Step 1: connect to the USB C-Type port.

4. Motherboard

Motherboard Overview

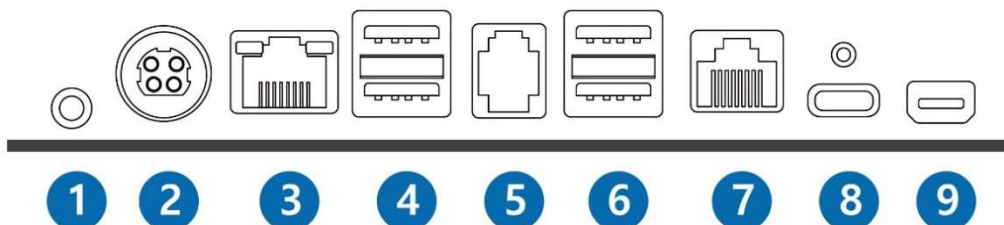
This includes description of the connectors on the motherboard.

Warning

Take note of the following precautions before you install motherboard components or change any motherboard settings.

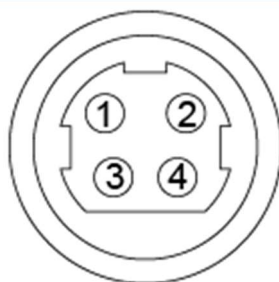
1. Unplug the power cord from the wall socket before touching any component.
2. Before handling components, use a grounded wrist strap or touch a safely grounded object or a metal object, such as the power supply case, to avoid damaging them due to static electricity.
3. Hold components by the edges to avoid touching the ICs on them.
4. Whenever you uninstall any component, place it on a grounded antistatic pad or in the bag that came with the component.
5. Before you install or remove any component, ensure that the power supply is switched off or the power cord is detached from the power supply.

Motherboard Pin Assignment



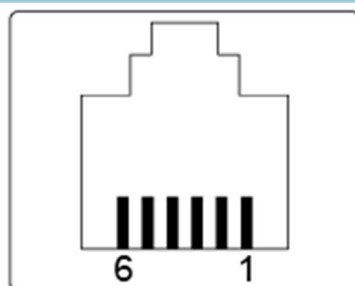
NO	Description	NO	Description
1	Audio Port	6	USB 2Port
2	Power / 12V	7	COM Port
3	LAN Port	8	USB C Type
4	USB 2Port	9	2nd DP or VFD (mini DP)
5	Cash Drawer (D/K)		

Power 12V



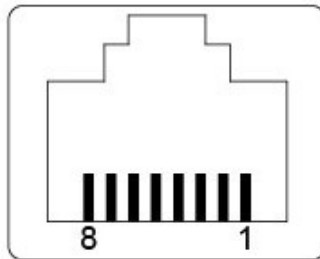
Pin No	Description	Pin No	Description
1	NC	3	12V
2	GND	4	12V

Cash Drawer



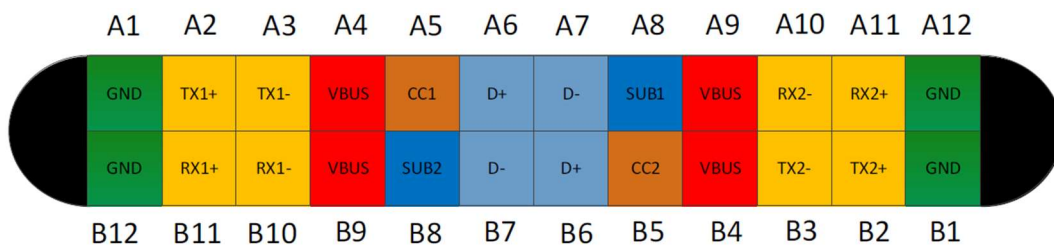
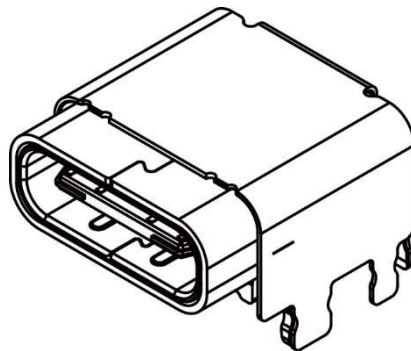
Pin No	Description	Pin No	Description
1	Drawer2 open sensor	4	+24
2	Drawer1 open signal	5	Drawer2 open signal
3	Drawer1 open sensor	6	GND

COM Port



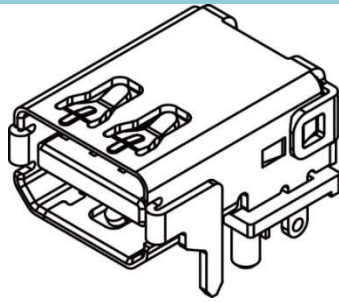
Pin No	Description	Pin No	Description
1	DCD	5	GND
2	TX	6	DTR
3	RX	7	CTS
4	DSR	8	RTS

USB C-Type



Power In/Out	Volt/Amp
+12V Input Mode	+12V / 5A
+5V Output Mode	+5A / 1.5A

Mini DP Port (2nd Display)



Pin No	Description	Pin No	Description
1	GND	11	DP1_TX1-
2	HPD	12	COM4_RX (for VFD)
3	DP1_TX0+	13	GND
4	CONF1	14	GND
5	DP1_TX0-	15	USB_D+ (for Touch)
6	CONF2	16	DP1_AUX+
7	GND	17	USB_D- (for Touch)
8	GND	18	DP1_AUX-
9	DP1_TX1+	19	GND
10	COM4_TX (for VFD)	20	+V12